



AC axial fans - HyBlade®

Ø 350



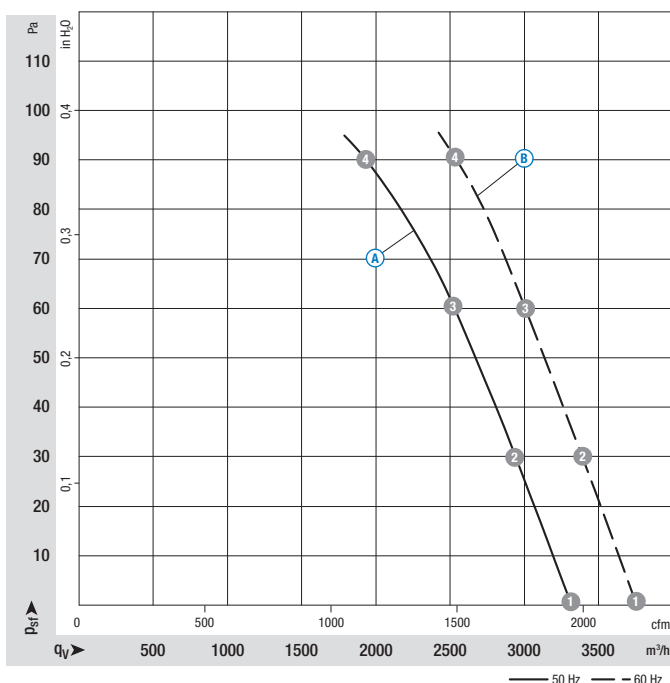
- **Material:** Guard grille: Steel, phosphated and coated in black plastic (RAL9005)
Wall ring: Sheet steel, pre-galvanised and coated in black plastic (RAL9005)
Blades: Plastic PP
Rotor: Surface coated in black
- **Number of blades:** 5
- **Direction of rotation:** Counter-clockwise, seen on rotor
- **Type of protection:** IP 44, depending on installation and position (acc. to EN 60034-5)
- **Insulation class:** A B C "F"; D E "B"
- **Mounting position:** Shaft horizontal or rotor on bottom; rotor on top on request
- **Condensate discharge holes:** Rotor-side
- **Mode of operation:** Continuous operation (S1)
- **Bearings:** Maintenance-free ball bearings

Nominal data		Curve	Nominal voltage	Frequency	Speed/rpm ⁽¹⁾	Max. input power ⁽¹⁾	Max. current draw ⁽¹⁾	Capacitor	Max. back pressure	Perm. amb. temp.	Mass without attachments	Electr. connection
Typ	Motor	VAC	Hz	rpm	W	A	µF/VDB	Pa	°C	kg		
*4D 350 ⁽²⁾	M4D 074-DF	A	3~230/400	50	1370	170	0,64/0,37	---	90	-25..+65	3,5	p. 61 / C1,C2
		B	3~230/400	60	1520	230	0,70/0,40	---	90	-25..+55	3,5	
*4E 350	M4E 074-DF	C	1~230	50	1340	165	0,73	4,0/400	90	-25..+65	3,5	p. 60 / A1)
*6E 350	M6E 074-DF	D	1~230	50	910	75	0,35	2,0/400	40	-25..+50	3,5	p. 60 / A1)
		E	1~230	60	1020	95	0,42	2,0/400	50	-25..+55	3,5	

subject to alterations

(1) Nominal data in operating point with maximum load and 230 or 400 VAC (2) 230 VAC Δ / 400 VAC Y

Curves



Air performance measured as per: ISO 5801, Installation category A, in ebm-papst full nozzle and without protection against accidental contact

Suction-side noise levels: L_{WA} as per ISO 13347, L_{PA} measured at 1 m distance to fan axis

The acoustic values given are only valid under the measurement conditions listed and may vary depending on the installation situation.

With any deviation to the standard setup, the specific values have to be checked and reviewed once installed or fitted!

For detailed information see page 62 ff.

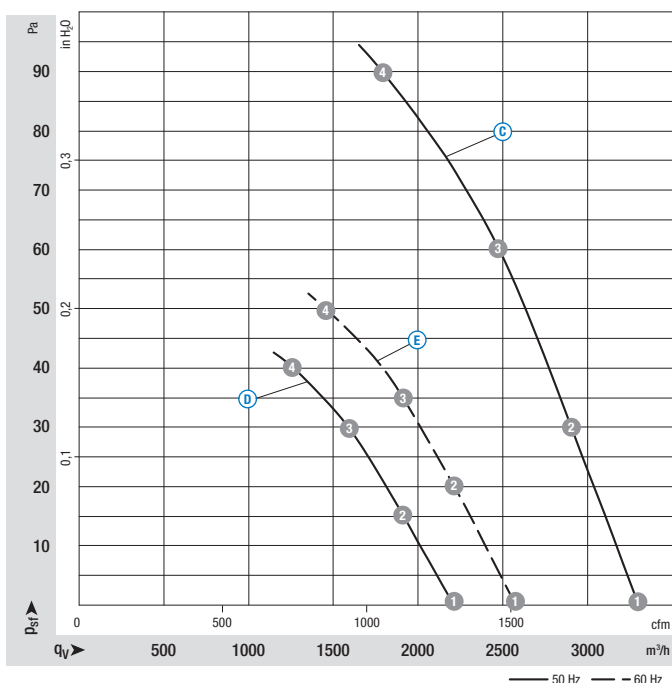
	n rpm	P _e W	I A	L _{WA} dB(A)
A 1	1400	140	0,63/0,36	69
A 2	1395	147	0,63/0,36	66
A 3	1380	157	0,63/0,36	64
A 4	1370	170	0,64/0,37	64
B 1	1600	185	0,63/0,36	72
B 2	1575	200	0,63/0,36	69
B 3	1550	214	0,64/0,37	67
B 4	1520	230	0,70/0,40	66

- **Motor protection:** TOP wired internally
- **Leakage current:** < 0,75 mA acc. to EN 60335-1
- **Cable exit:** Variable
- **Terminal box design:** Electrical connection via terminal strip
- **Protection class:** I
- **Product conforming to standards:** EN 60335-1; CE
- **Approvals:** VDE, cURus on request

Direction of air flow	Direction of air flow "A" on request			
	Without attachments	With full round nozzle	With guard grille for short nozzle	With guard grille for short nozzle and mounted terminal box
	A4D 350-AN08 -01	W4D 350-CN08 -30	S4D 350-AN08 -30	S4D 350-AN08 -50*
	A4E 350-AN02 -01	W4E 350-CN02 -30	S4E 350-AN02 -30	S4E 350-AN02 -50*(3)
	A6E 350-AN24 -01	W6E 350-CN24 -30	S6E 350-AN24 -30	S6E 350-AN24 -50*(3)

Direction of air flow "A" on request *Terminal box design: Electrical connection via terminal strip (3) Device is outfitted with a P0 capacitor. EN 60335-1 is to be observed for the end application !

Curves



Air performance measured as per: ISO 5801, Installation category A, in ebm-papst full nozzle and without protection against accidental contact

Suction-side noise levels: L_{WA} as per ISO 13347, L_{pA} measured at 1 m distance to fan axis

The acoustic values given are only valid under the measurement conditions listed and may vary depending on the installation situation.

With any deviation to the standard setup, the specific values have to be checked and reviewed once installed or fitted!

For detailed information see page 62 ff.

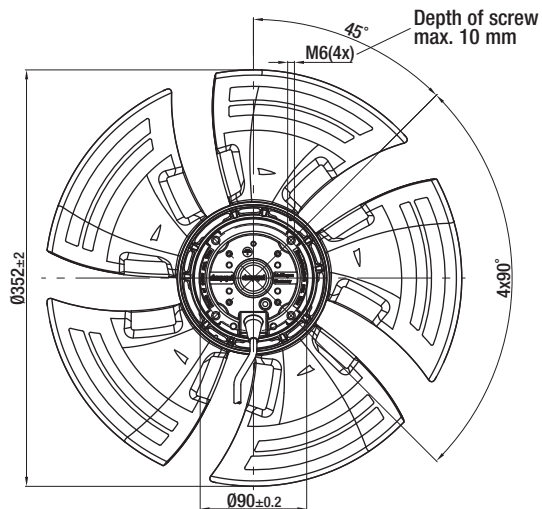
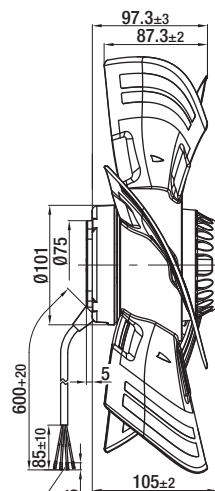
	n rpm	P _e W	I A	L _{WA} dB(A)
1	1400	135	0,60	69
2	1380	145	0,64	66
3	1365	155	0,68	64
4	1340	165	0,73	64
1	930	67	0,32	59
2	925	69	0,33	57
3	915	72	0,34	54
4	910	75	0,35	53
1	1090	83	0,37	62
2	1070	87	0,38	60
3	1050	90	0,39	58
4	1020	95	0,42	56

AC axial fans - HyBlade®

Ø 350 with motor M** 074, drawings for direction of air flow "V"



Without attachments



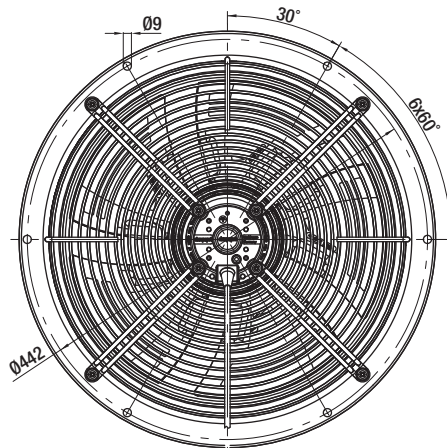
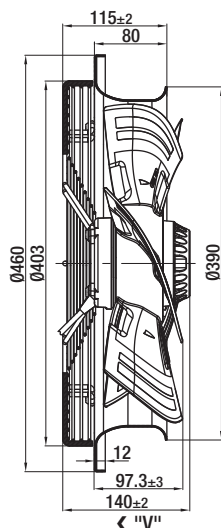
Typ	Mass kg
A4D 350-AN08 -01	3,5
A4E 350-AN02 -01	3,5
A6E 350-AN24 -01	3,5

Internal diameter of the wall ring at least 358 mm

brass lead tips crimped

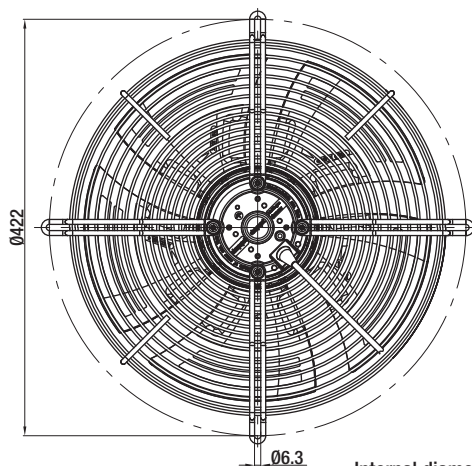
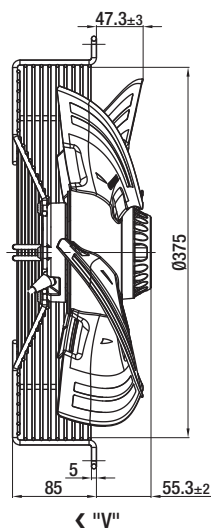
← "V"

With full round nozzle



Typ	Mass kg
W4D 350-CN08 -30	6,4
W4E 350-CN02 -30	6,4
W6E 350-CN24 -30	6,5

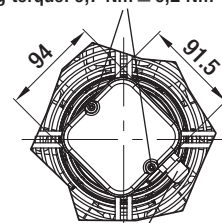
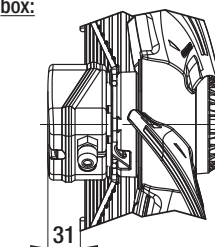
With guard grille for short nozzle



Internal diameter of the wall ring at least 358 mm

Typ	Mass kg
S4D 350-AN08 -30	5,00
S4E 350-AN02 -30	5,00
S6E 350-AN24 -30	5,00
S4D 350-AN08 -50*	5,15
S4E 350-AN02 -50*	5,15
S6E 350-AN24 -50*	5,15

*Type with terminal box: Tightening torque: 0,7 Nm ± 0,2 Nm



Cable diameter: max. 7,5 mm
Tightening torque: 1,3 Nm ± 0,2 Nm