

O16

Single pressure controllers



Applications

O16 instruments are single mechanical pressure switches for high and low pressure, equipped with a single pole switch SPDT that closes and opens as the pressure increases or decreases.

Common features

SPDT single pole switch electrical rating:
Ambient operating / storage temperature:
Connection to pressure line:
Cable entry:
Refrigerant:
Installation:
Regulation:
Terminals:
Casing enclosure rating:

O16 pressure

16 (16) A 250V~ normally open or normally closed
1 (1) A 250V~ opposite side.
-30°C...+55°C / -40°C...+65°C
7/16 - 20 UNF straight male output connector,
1/4 flared female connector
14mm insulating bushing
Equipment suitable for use with the most common gases
two threaded holes in the back of the casing to accept M4x6mm screws (supplied)
by means of crosshead recessed hex nut for both the set and the differential.
An adjustable knob is also available, as standard with certain models.
1 common; 2 opens when the pressure increases; 4 closes when the pressure increases.
IP44 (with top cover installed)

Operating and safety pressures

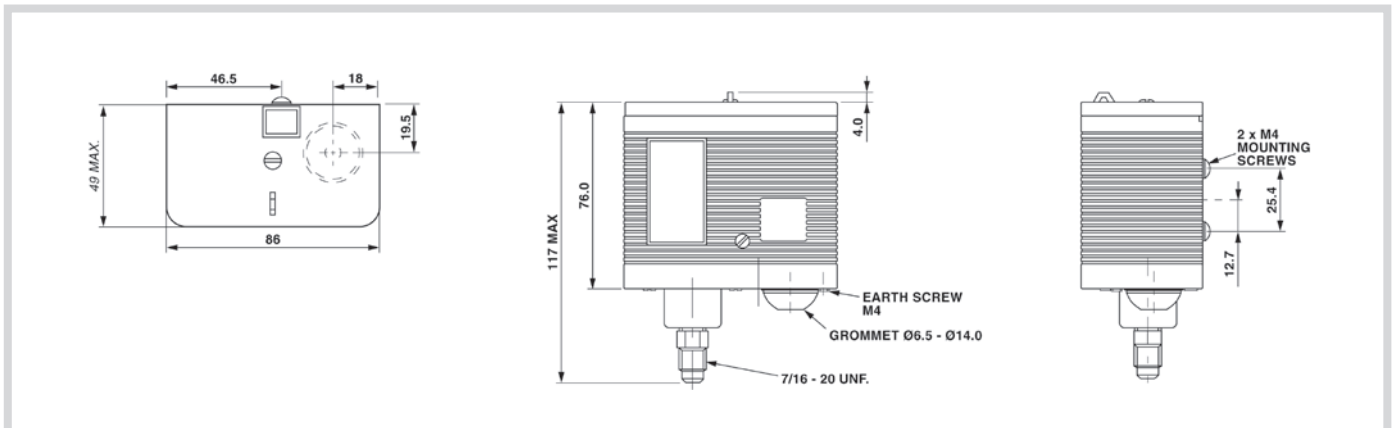
Bellows type	Maximum stationary pressure (bar)	Burst Pressure (bar)
Low Pressure	20	80
High Pressure	35	128
TÜV	35	80 (safety)

Part number	High or Low	Reset	Measurement range PSI (bar)	Differential PSI (bar)	Type of bellows	Connection
O16-H6703	low	automatic	10"...100 (-0.3...7)	9...58 (0.6...4)	standard	7/16" - 20 UNF male
O16-H6704	low	automatic	10"...100 (-0.3...7)	9...58 (0.6...4)	standard	brazed welded tube diam. 6 mm L.100 mm
O16-H6713	low	automatic	10"...100 (-0.3...7)	9...58 (0.6...4)	standard	1000 mm capillary with 1/4" SAE nut
O16-H6705	low	manual	10"...100 (-0.3...7)	9 (0.6)	standard	7/16" - 20 UNF male
O16-H6750	high	automatic	100...435 (7...30)	35...115 (2...8)	standard	7/16" - 20 UNF male
O16-H6763	high	automatic	100...435 (7...30)	35...115 (2...8)	TÜV	brazed welded tube diam. 6 mm L.100 mm
O16-H6751	high	manual	100...435 (7...30)	45 (3.2)	standard	7/16" - 20 UNF male
O16-H6758	high	automatic	100...435 (7...30)	42...115 (3...8)	TÜV	7/16" - 20 UNF male
O16-H6759	high	manual*	100...435 (7...30)	45 (3.2)	TÜV	7/16" - 20 UNF male
O16-H6764	high	manual	100...435 (7...30)	45 (3.2)	TÜV	brazed welded tube diam. 6 mm L.100 mm
O16-H6760	high	manual**	100...435 (7...30)	45 (3.2)	TÜV	7/16" - 20 UNF male
O16-H6765	high	manual	100...435 (7...30)	45 (3.2)	TÜV	brazed welded tube diam. 6 mm L.100 mm

* reset without removing cover

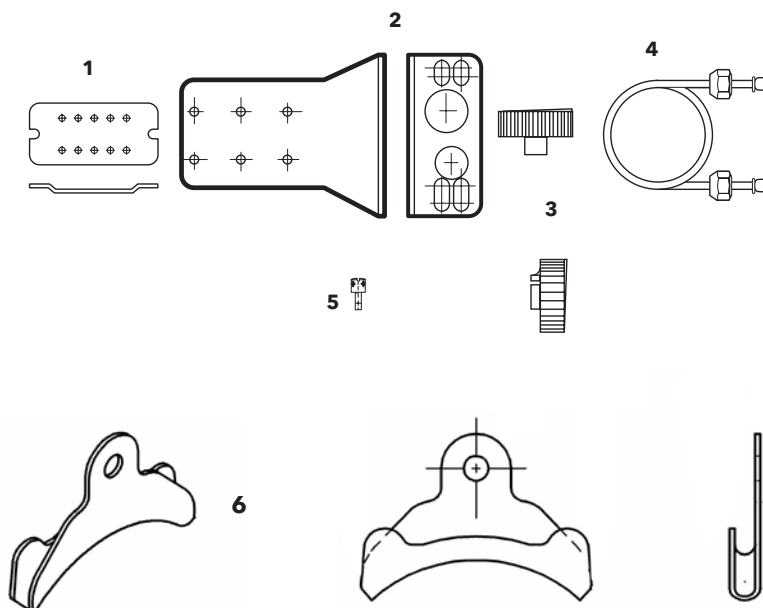
** reset with removal of cover

Dimensions



Accessories for O series controllers

Accessories for O series controllers



Part number	Description	Notes
00048129003 (1)	Flat mounting bracket	-
00031696001 (2)	Angle mounting bracket	-
03200115001 (3)	Knob	-
06309138001 (4)	1000 mm capillary with 7/16" fittings, without valve opener	-
06309138002 (4)	1500 mm capillary with 7/16" fittings, without valve opener	-
00450199004 (5)	Screw with clearance hole	-
06223029001 (6)	clip for temperature capillary	only O16 temperature
06223029006 (6)	clip for temperature capillary- KIT 6pcs	only O16 temperature