



SECOP

GS34CLX

LBP Compressor

R404A/R507

220-240V 50Hz

General

Code number	107B0501
Approvals	EN 60335-2-34
Compressors on pallet	48

Application

Application	LBP		
Frequency	Hz	50	60
Evaporating temperature	°C	-40 to -10	-
Voltage range	V	198 - 254	-
Max. condensing temperature continuous (short)	°C	50 (60)	-
Max. winding temperature continuous (short)	°C	125 (135)	-

Cooling requirements

Frequency	Hz	50			60		
Application		LBP	MBP	HBP	LBP	MBP	HBP
32°C		F ₂	-	-	-	-	-
38°C		F ₂	-	-	-	-	-
43°C		-	-	-	-	-	-
Remarks on application:							

Motor

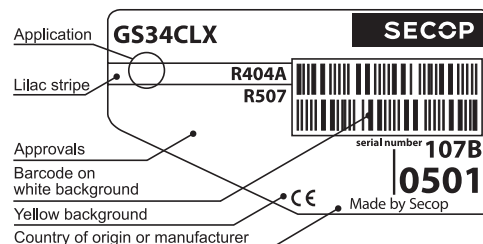
Motor type	CSR		
LRA (rated after 4 sec. UL984), HST LST	A	40.0	-
Cut in Current, HST LST	A	40.0	-
Resistance, main start winding (25°C)	Ω	1.6	6.7

Design

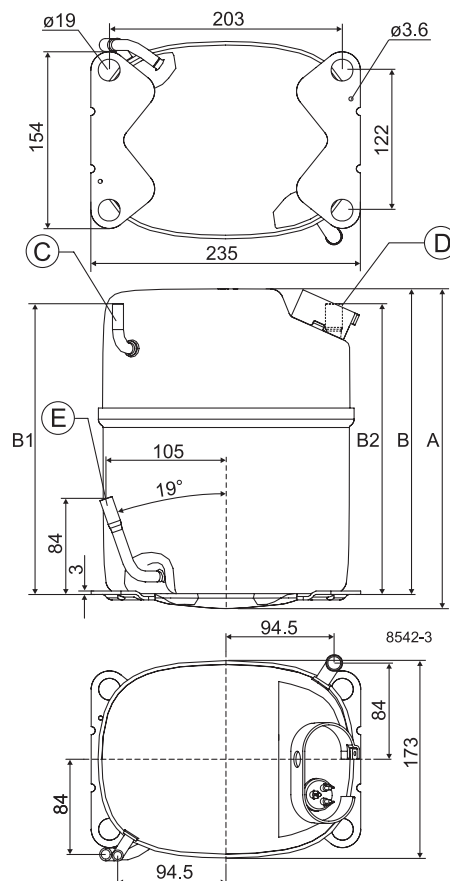
Displacement	cm ³	33.80
Oil quantity (type)	cm ³	900 (polyolester)
Maximum refrigerant charge	g	2000
Free gas volume in compressor	cm ³	3540
Weight without electrical equipment	kg	22.2

Dimensions

Height	mm	A	279
		B	267
		B1	254
		B2	254
Suction connector	location/I.D. mm angle	C	12.9 90°
	material comment		Copper Rubber plug
Process connector	location/I.D. mm angle	D	6.5 90°
	material comment		Copper Rubber plug
Discharge connector	location/I.D. mm angle	E	8.2 19°
	material comment		Copper Rubber plug
Oil cooler connector	location/I.D. mm angle	F	-
	material comment		-
Connector tolerance	I.D. mm		12.9±0.15, 8.2 ±0.05, 6.5 ±0.10
Remarks:			



- S = Static cooling normally sufficient
- O = Oil cooling
- F₁ = Fan cooling 1.5 m/s (compressor compartment temperature equal to ambient temperature)
- F₂ = Fan cooling 3.0 m/s necessary
- SG = Suction gas cooling normally sufficient
- = not applicable in this area



EN 12900

220V, 50Hz, fan cooling F₂

Evap. temp. in °C	-45	-40	-35	-30	-25	-23.3	-20	-15	-10	-6.7	-5	0	5	7.2	10	15	20
Capacity in W		729	1003	1330	1715	1857	2165	2687	3289								
Power cons. in W		791	924	1057	1196	1245	1349	1521	1721								
Current cons. in A		4.47	4.93	5.46	6.06	6.27	6.72	7.45	8.24								
COP in W/W		0.92	1.09	1.26	1.43	1.49	1.61	1.77	1.91								

ARI 540-99 (LBP1)

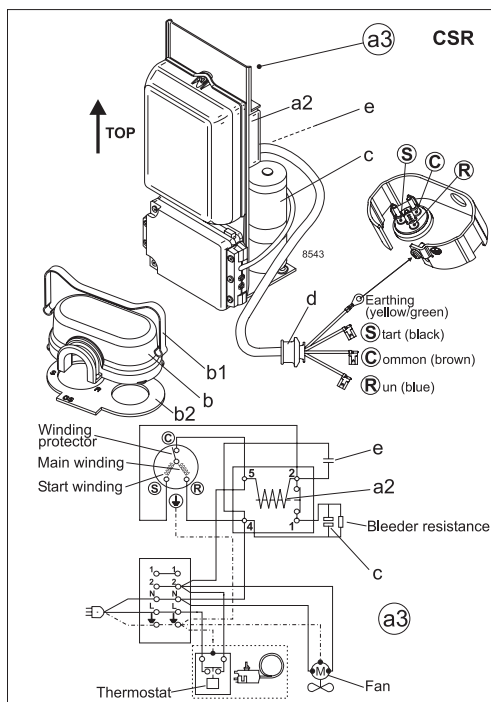
220V, 50Hz, fan cooling F₂

Evap. temp. in °C	-45	-40	-35	-30	-25	-23.3	-20	-15	-10	-6.7	-5	0	5	7.2	10	15	20
Capacity in W		521	748	1017	1333	1450	1703	2133	2630								
Power cons. in W		758	925	1087	1251	1307	1423	1611	1821								
Current cons. in A		4.35	4.94	5.60	6.32	6.58	7.11	7.96	8.88								
COP in W/W		0.69	0.81	0.94	1.07	1.11	1.20	1.32	1.44								

ARI 540-99 (LBP2)

220V, 50Hz, fan cooling F₂

Evap. temp. in °C	-45	-40	-35	-30	-25	-23.3	-20	-15	-10	-6.7	-5	0	5	7.2	10	15	20
Capacity in W		685	945	1254	1619	1754	2046	2542	3114								
Power cons. in W		791	926	1060	1201	1250	1354	1528	1728								
Current cons. in A		4.45	4.93	5.47	6.07	6.29	6.74	7.48	8.28								
COP in W/W		0.87	1.02	1.18	1.35	1.40	1.51	1.66	1.80								



Accessories for GS34CLX	Figure	Code number	Test conditions	EN 12900	ARI 540-99 (LBP1)	ARI 540-99 (LBP2)
Starting device 600 mm cable length	a3	117-7074	Condensing temperature	40°C	48.9°C	40.6°C
			Ambient temperature	32°C	35°C	35°C
			Suction gas temperature	20°C	4.4°C	4.4°C
			Liquid temperature	no subcooling	no subcooling	no subcooling
Cover	b	107B9101 *)	Mounting accessories			
Clamp	b1	107B9104 *)	Code number			
Gasket	b2	107B9100 *)	Bolt joint for one comp.			
Starting relay	a2	Components of starting device	Bolt joint in quantities			
Start. capacitor	c		Snap-on in quantities			
Run capacitor	e					

*) Remarks: Cover, clamp, gasket parts of compressor