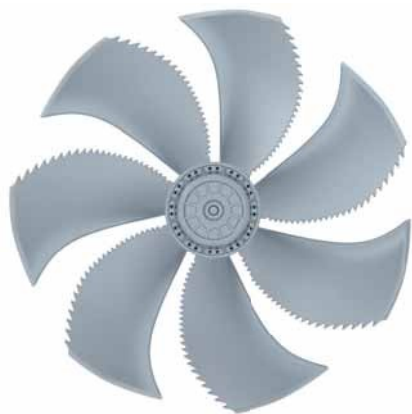


FE2owlet

for three phase alternating current, 6-6 pole

FN063-SD



Description

Motor technology: AC
 Rated voltage U_N : 3- 400 V (Δ/Y) ± 10 %
 Rated frequency f_N : 50 Hz* (60Hz data available)
 Input power P_i : 0.62/0.44 kW*
 Rated current I_N : 1.25/0.72 A*
 Rated speed n_N : 900/ 720 min^{-1} *
 Starting current I_s : 4.40 / 1.40 A
 Current increase ΔI : 15 %
 Thermal class: THCL155*
 Min. permitted ambient temperature $t_{R(\text{min})}$: -40 °C ***
 Max. permitted ambient temperature $t_{R(\text{max})}$: 70 °C
 Electrical connection: Terminal box
 Number of blades: 7
 Protection class: IP54
 Motor protection: thermal contact
 Blades: Aluminium, uncoated
 Rotor: Aluminium, uncoated
 Conformity: ErP 2015, CE

ErP-data

Efficiency η_{statA} : 33.8 %
 Efficiency: $N_{\text{actual}} = 41.6 / N_{\text{target}} = 40$ **

* Rated data

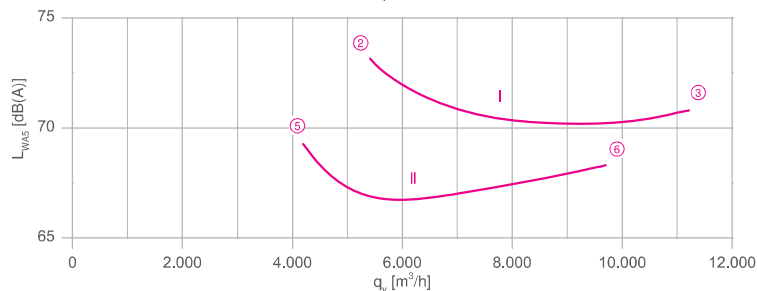
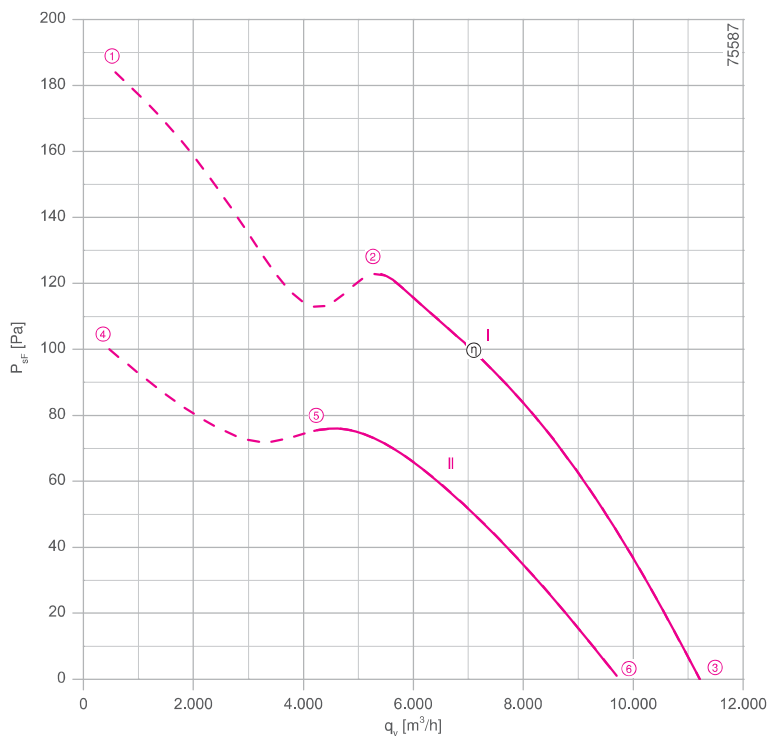
**ErP 2015

*** Continuous operation with occasional starts (S1) according to DIN EN 60034-1:2011-02. Occasional starting between -40 °C and -25 °C is permissible. Continuous operation below -25 °C only with special bearings for refrigeration applications on request.

Connection diagram Page 531
 for airflow direction A 1360-108XB
 for airflow direction V 1360-108XA

System components Page 430

Characteristic curve

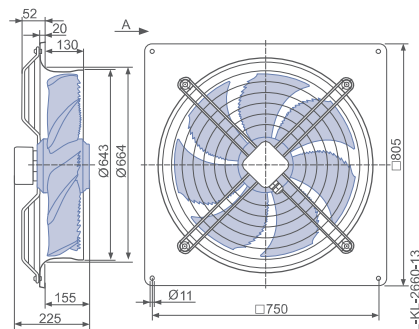


Measured in full bell mouth without guard grille in installation type A according to ISO 5801

Dimensions mm

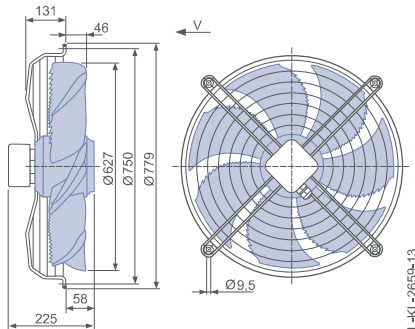
Airflow direction A

Design Q - square full bell mouth, guard grille suction side

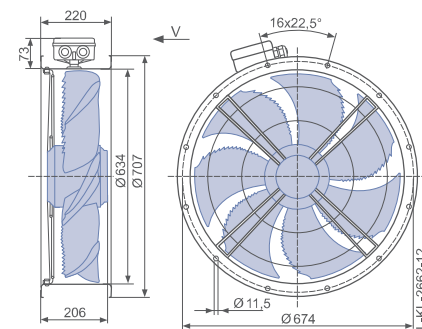


Airflow direction V

Design K - axial bolted, mounted for short bell mouth, guard grille pressure side



Design F - flange ring with two flanges, without guard grille



Performance data

Type	Connection	Characteristic curve	Voltage	Operating point	Current	Input power	Speed	Suction side sound power level L_{WA5} dB(A)
			U V					
FN063-SD_4I_7P1	Δ	I	400	①	1.45	800	870	
			400*	②	1.25*	620*	900*	73
			400	③	1.05	440	940	71
	Y	II	400	④	0.86	520	640	
			400*	⑤	0.72*	440*	720*	69
			400	⑥	0.56	330	820	68

*rated data

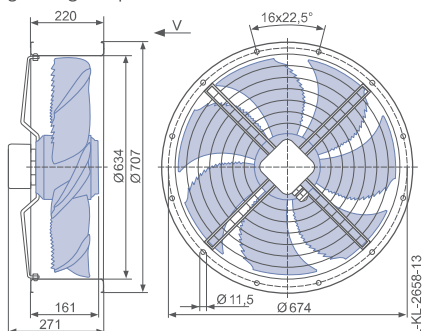
Fan ordering information

	Airflow direction A	Airflow direction V			
Design	Q (guard grille suction side)	K (guard grille pressure side)	F (without guard grille)	F (guard grille pressure side)	Q (guard grille pressure side)
Type	FN063-SDQ.4I.A7P1	FN063-SDK.4I.V7P1	FN063-SDF.4I.V7P1	FN063-SDF.4I.V7P1	FN063-SDQ.4I.V7P1
Article no.	141382	141384	141386	141387	141385
Weight kg	24.50	15.40	19.90	20.80	23.90

Control technology

	Frequency inverters Fcontrol 3~	Motor protection units 3~	Electronic voltage controllers 3~
	Page 480	Page 518	Page 506

Design F - flange ring with two flanges, guard grille pressure side



Design Q - square full bell mouth, guard grille pressure side

