

for single phase alternating current, 4 pole

FBO50-4E



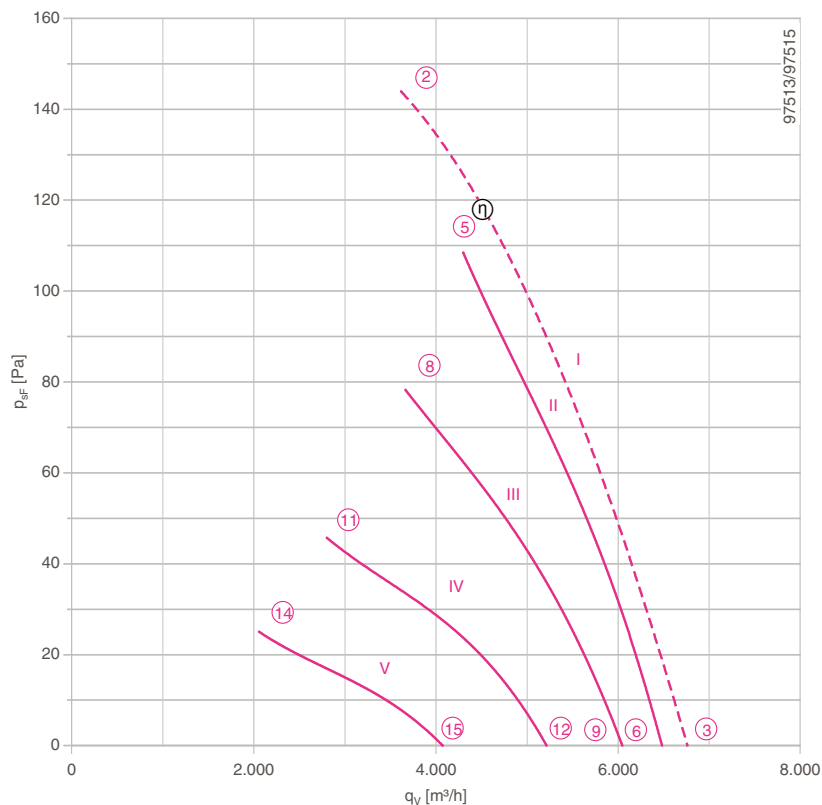
Description

Motor technology: AC
 Rated voltage U_N : 1~ 230 V±10 %*
 Rated frequency f_N : 50 Hz* (60Hz data available)
 Motor input power P_1 : 0.45 kW*
 Rated current I_N : 2.10 A*
 Rated speed n_N : 1300 min⁻¹*
 Current increase ΔI : 10 %
 Service capacitor C_{400V} : 8.0 μ F
 Thermal class: THCL155*
 Min. permitted conveyor temperature $t_{R(min)}$: -25 °C
 Max. permitted conveyor temperature $t_{R(max)}$: 70 °C
 Electrical connection: Terminal box
 Number of blades: 4
 Protection class: IP54
 Motor protection: Thermal contact
 Blades: Aluminium, uncoated
 Rotor: Aluminium, uncoated
 Conformity: ErP 2015, CE

ErP Data

Efficiency η_{statA} : 35.5 %
 Efficiency: $N_{actual} = 44.2 / N_{target} = 40$ **
 * Rated data
 **ErP 2015

Characteristic curve



I) Measured in full bell mouth without guard grille in installation type A according to ISO 5801.
 II-x) Measured in short-bell mouth with compressed side contact protection.

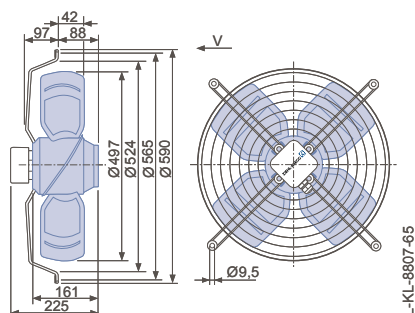
Connection diagram 1360-104XA Page 608

System components Page 524

Dimensions [mm]



Design K - axial bolted, mounted for short bell mouth E



	curve	U [V]		I [A]	power P ₁ [W]	n [min ⁻¹]	sound power level L _{WAS} [dB]
FB050-4E_4I.V4L	I	230*	②	2.20*	460*	1290*	81
		230	③	1.40	300	1390	79
	II	230	⑤	1.95	420	1320	75
		230	⑥	1.45	310	1380	75
	III	170	⑧	2.20	350	1130	72
		170	⑨	1.60	260	1290	73
	IV	135	⑪	2.20	270	860	65
		135	⑫	1.75	220	1110	69
	V	110	⑭	1.95	190	640	59
		110	⑮	1.80	180	860	63

*rated data

Fan ordering information

Airflow direction V

Design K



Type **FB050-4EK.4I.V4L**

Article no. **160135**

Weight [kg] 12.00

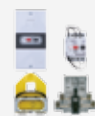
Control technology

Frequency inverter
Fcontrol 1~



➤ Page 552

Motor protection units
1~



➤ Page 596

Transformer-based
controllers 1~



➤ Page 587

Electronic voltage
controllers 1~



➤ Page 562

Information

FE20wlet
ECblue

FE20wlet

FB

FC

System
components

Control
technology

Appendix