

# Technical Data

# Compressor



## Model

Designation	<b>SCE18CNLX 220-240V/50Hz 1~</b>	Sales code:	<b>104H8848</b>
-------------	-----------------------------------	-------------	-----------------

## Compressor design

Oil type	Polyolester	Refrigerant(s)	<b>R290</b>
Oil viscosity	32cSt	Displacement	17,69cm <sup>3</sup> / 1,08cu.in
Oil quantity	549cm <sup>3</sup> / 18,6fl.oz	Compressors on pallet	80
Refr. charge - tech. limit	550g / 19,4oz		
Free gas volume comp.	1460cm <sup>3</sup> / 49,4fl.oz		
Weight	14,2kg / 31,3lbs		
Motor protection	external		
Winding resistance main	4,07Ω (at 25°C)		
Winding resistance aux	15,88Ω (at 25°C)		
Max. winding temp.	125°C / 257°F		
Max. discharge temp.	140°C / 284°F		



## General - Configurations with SCE18CNLX

	<b>Conf. 1</b>
Motorconfiguration	CSIR
Power supply (nominal)	220-240V/50Hz
Number of phases	1
Voltage range	198-254V
Approvals	VDE
Starting torque	HST
Note	Protector, relay and cover are included and pre-assembled to compressor.

## Applications with SCE18CNLX

	<b>Conf. 1</b>
Refrigerant	R290
Application	LBP
System cooling	fan 3m/s
Hot gas defrost	OK
Long interval pull down	-/-

## Electrical data - Configurations with SCE18CNLX

	<b>Conf. 1</b>
Starting device type	relay
Run capacitor	-/-
Start capacitor	80μF
LRA (locked rotor amps / 4s)	17,47A
RLA (rated load amps / 1s)	2,92A
Cut in current	17,47A
IP class	21

# Technical Data

# Compressor



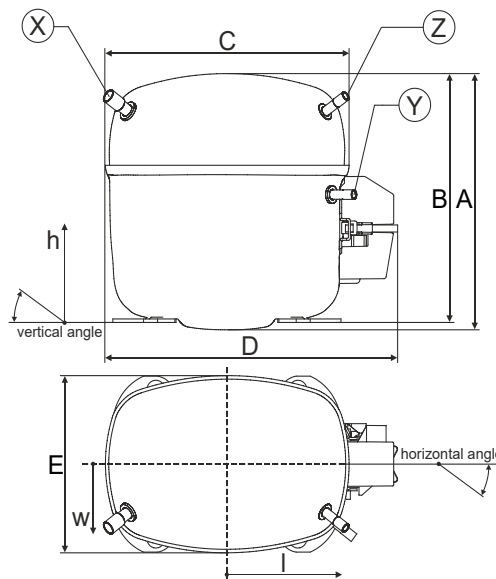
## Model

Designation **SCE18CNLX 220-240V/50Hz 1~** Sales code: **104H8848**

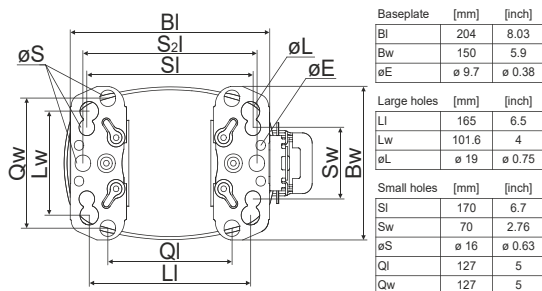
## Compressor dimensions

<b>Housing</b>	A Height	219mm / 8,62in
	B Height	213mm / 8,39in
	C Length shell	218mm / 8,58in
	D Length w. cover	255mm / 10,04in
	E Width	151mm / 5,94in

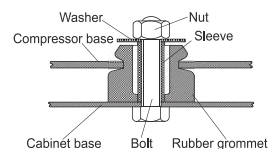
Connectors	Suction	Discharge	Process
	X	Y	Z
Diameter [mm]	øi 10,11-10,29	øi 6,11-6,29	øi 6,11-6,29
(i:inside, o:outside) [in]	øi 0,4-0,41	øi 0,24-0,25	øi 0,24-0,25
Material	copper	copper	copper
Horizontal angle ±2°	37°	37°	143°
Vertical angle ±2°	30°	0°	150°
Position l/h/w [mm]	107/193/55	115/110/63	-107/193/55
[in]	4,2/7,6/2,2	4,5/4,3/2,5	-4,2/7,6/2,2
Straight tube l.	[mm]	12	12
	[in]	0,5	0,5



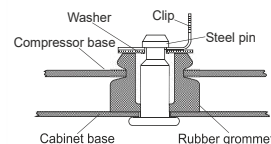
## Compressor fixation



### Bolt joint



### Snap-on



## Mounting accessories

	one comp.	multi pack
Bolt joint   M6   ø16mm	118-1917	118-1918
Bolt joint   ø1/4"   ø16mm	118-1946	
Bolt joint   ø1/4"   ø19mm	118-1949	
Snap-on   ø7,3   ø16mm	118-1947	118-1919

# Technical Data

# Compressor



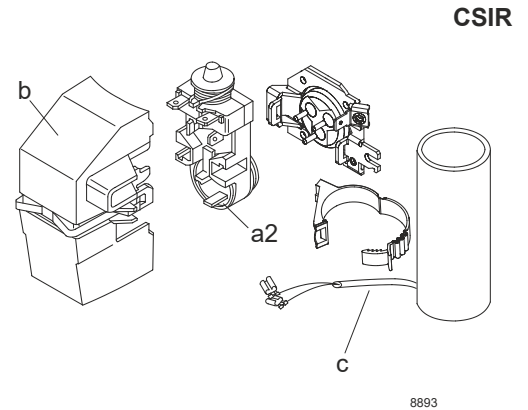
## Model

Designation	<b>SCE18CNLX 220-240V/50Hz</b>	Conf. 1	Sales code:	<b>104H8848</b>
-------------	--------------------------------	---------	-------------	-----------------

## Configuration

Motorconfiguration	CSIR
Power supply (nominal)	220-240V/50Hz 1~
Refrigerant	R290
Application	LBP
Voltage range	198-254V
Starting torque	HST
Approvals	VDE

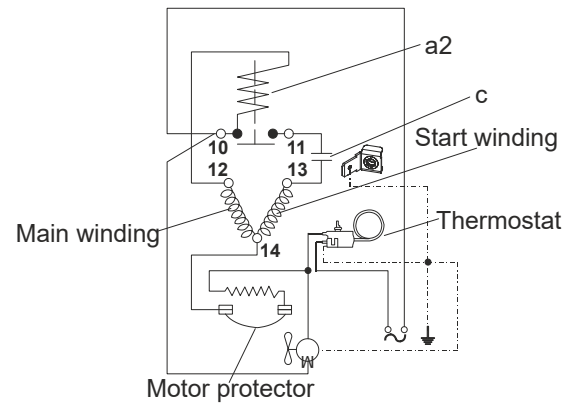
## Electrical accessories / wiring diagram



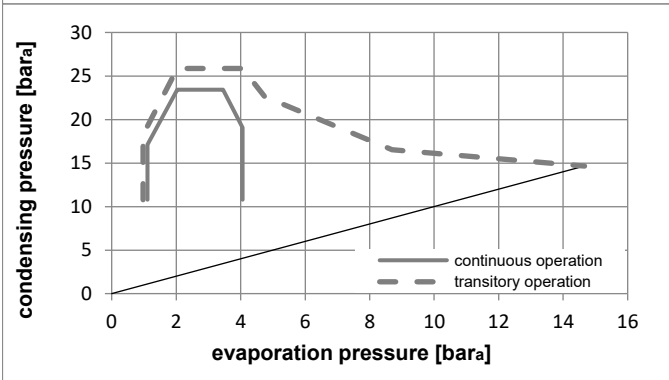
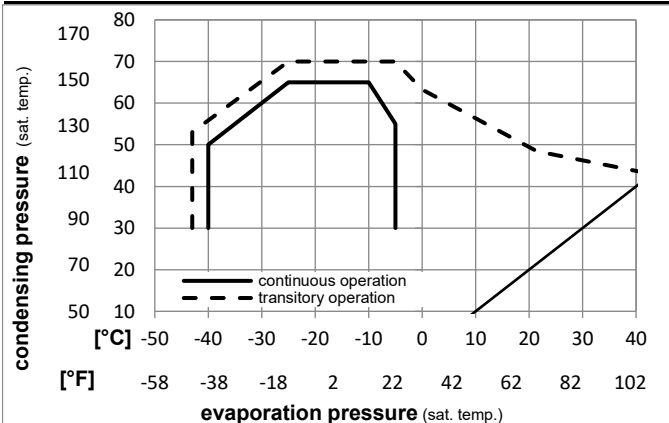
## Ambient temperatures / system cooling

Ambient temperature min.:	10°C / 50°F
Ambient temperature max.:	43°C / 110°F

System cooling (n/a: outside limits)			
T ambient	LBP	MBP	HBP
32°C / 90°F	fan 3m/s	n/a	n/a
38°C / 100°F	fan 3m/s	n/a	n/a
43°C / 110°F	fan 3m/s	n/a	n/a



## Operation pressure range



## Components (relay + cover: pre-assembled)

a2	assy. relay + ext. protector (T1133)	117U7405
c	start capacitor (80μF)	117U5017
d	cord relief	103N1004
b	plastic cover + clamp	117U1033

# Technical Data

# Compressor



## Model

Designation **SCE18CNLX 220-240V/50Hz** Conf. 1 Sales code: **104H8848**

## Optimization + standard conditions

220-240V/50Hz 1~, CSIR, fan 3m/s, VDE

Evaporating pressure (saturation temperature)														
Condensing pressure (saturation temperature)														
Return gas temp.														
Liquid temp.														
Cooling capacity														
COP														
EER														
Power consumption														
Current consumption														
Ref. mass flow														
	pe	pc	RGT	Tliq	[W]	[Btu/h]	[kcal/h]	[W/W]	[Btu/Wh]	[kcal/Wh]	P1 [W]	I [A]	m [kg/h]	
[°C]	-23,3	54,4	32,2	32,2	791,4	2703	681,1	1,51	5,16	1,30	524,2	3,00	8,01	ASHRAE LBP
[°F]	-10	130	90	90										
[°C]	-25	55	32	55	586,1	2002	504,4	1,17	3,99	1,00	502,3	2,94	7,30	cecomaf LBP
[°F]	-13	131	89,6	131										
[°C]	-35	40	20	40	439,6	1501	378,3	1,22	4,15	1,05	361,4	2,58	5,02	EN12900 LBP
[°F]	-31	104	68	104										
[°C]	-23,3	48,9	4,44	48,9	650,4	2221	559,8	1,27	4,34	1,09	511,3	2,96	9,01	ARI540 LBP
[°F]	-10	120	40	120										
[°C]	-23,3	40,6	32,2	32,2	868,7	2967	747,6	1,77	6,05	1,52	490,5	2,93	8,80	AHAM LBP
[°F]	-10	105	90	90										
[°C]	-35	45	32	45	413,7	1413	356,0	1,14	3,89	0,98	362,7	2,56	4,64	opt
[°F]	-31	113	89,6	113										

## Performance tables

220-240V/50Hz 1~, CSIR, fan 3m/s, VDE

	pe	Cooling capacity			COP	EER	P1	I	m		
	[°C]	[°F]	[W]	[Btu/h]	[kcal/h]	[W/W]	[Btu/Wh]	[kcal/Wh]	[W]	[A]	[kg/h]
[°C / °F]	-40	-40	314,6	1074	270,7	1,04	3,57	0,90	301,3	2,42	3,52
cond. pressure	-35	-31	413,7	1413	356,0	1,14	3,89	0,98	362,7	2,56	4,64
pc= 45/113	-30	-22	542,1	1851	466,6	1,28	4,37	1,10	423,7	2,72	6,09
return gas temp.	-25	-13	701,1	2394	603,4	1,45	4,96	1,25	483,0	2,89	7,91
RGT= 32/90	-20	-4	891,6	3045	767,3	1,65	5,65	1,42	539,3	3,07	10,10
liquid temp	-15	5	1114,8	3807	959,4	1,89	6,44	1,62	591,1	3,25	12,68
Tliq= 45/113	-5	23	1663,3	5680	1431,4	2,46	8,40	2,12	676,3	3,57	19,15
[°C / °F]	-40	-40	230,5	787	198,3	0,80	2,72	0,69	289,5	2,34	2,84
cond. pressure	-35	-31	324,7	1109	279,4	0,90	3,08	0,78	360,0	2,51	4,01
pc= 55/131	-30	-22	442,8	1512	381,1	1,03	3,51	0,88	431,4	2,71	5,49
return gas temp	-25	-13	586,1	2002	504,4	1,17	3,99	1,00	502,3	2,94	7,30
RGT= 32/90	-20	-4	755,4	2580	650,1	1,32	4,52	1,14	571,4	3,17	9,45
liquid temp	-15	5	952,0	3251	819,3	1,49	5,10	1,29	637,4	3,41	11,97
Tliq= 55/131	-5	23	1431,1	4887	1231,6	1,90	6,48	1,63	754,8	3,86	18,23