



R11\_-45EPA-6M-5105

### Fan with wall plate

**Airflow Direction**

- »S«
- »B«

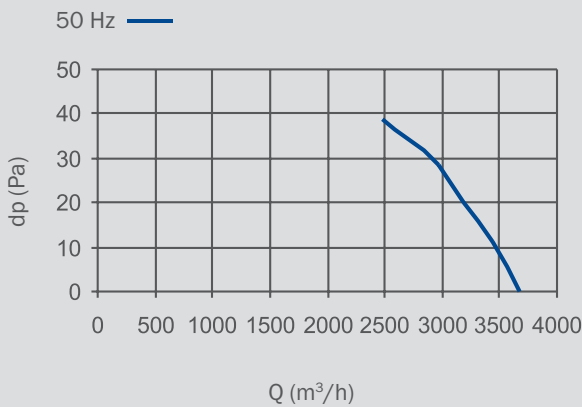
**Type:**

- R11P-45EPA-6M-5105
- R11P-45EPP-6M-5105

Available on request

**Diameter:** 450 mm

### Aerodynamic characteristic:



### Performance Data:

- 1~230V 50Hz
- $P_1 = 125W$
- $n = 850min^{-1}$
- $I = 0,54A$
- $t_R = 50^{\circ}C$
- $L_{wa} = 68dB(A)$
- $C = 5\mu F / 450V$
- Connection: cable
- Ins.Cl. F
- IP44

### Notes:

Fan characteristic measured in short bell mouth with guard grill

### Fan with guard grill

**Airflow Direction**

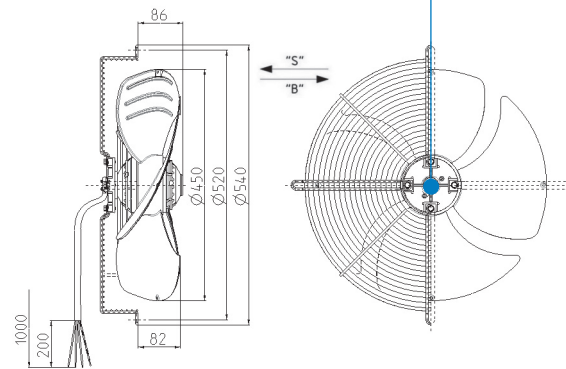
- »S«
- »B«

**Type:**

- R11R-45EPA-6M-5105
- R11R-45EPP-6M-5105

**Code:**

0311-4-0111



**Weight:**  
6,2 kg

### Fan without guard grill

**Airflow Direction**

- »S«
- »B«

**Type:**

- R11E-45EPA-6M-5105
- R11E-45EPP-6M-5105

Available on request