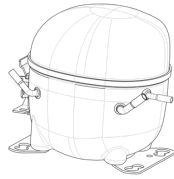


220-240V 50Hz 1~**GENERAL DATA****Application:** MBP**Refrigerant:** R404A**Compressor Cooling:** Fan**Fan air flow:** 520 m³/h**Maximum Condensing Pressure - Operating:** 24.71 bar**Maximum Condensing Pressure - Peak:** 27.71 bar**Type:** Hermetic reciprocating**Technology Type:** On-Off**Expansion Device:** Capillary Tube or Expansion Valve**Packing Quantity:** Multi - 28 pcs**Displacement:** 14.28 cm³**Horse power:** 3/4 hpApprovals:  **MECHANICAL DATA****Bore:** 30.16 mm**Stroke:** 20 mm**Oil Charge:** 350ml +/-15ml**Free Internal Volume:** 2.1 cm³**Maximum Recommended Refrigerant Charge:** 350 ml**Oil Type Configuration:** Polyolester**Oil Type Viscosity:** ISO22**Compressor pressurization:** Dry air charge**Weight:** 12.3 kg**ELECTRICAL DATA****Motor Type:** CSR**Starting Torque:** HST**Voltage working range at 50 Hz:** 198-254 V**Maximum Motor Temperature:** 130 °C**Start Winding Resistance:** 10.9 Ω (± 10%) at 25°C**Run Winding Resistance:** 3.59 Ω (± 10%) at 25°C**Locked Rotor Amperage (RLA):** 25 A**MOUNTING ACCESSORIES**

	Description	Code
Terminal Board:	no	-
Anchorage:	no	-
Capacitor Bracket:	no	-
Washer:	no	-
Pin:	no	-
Clip:	no	-
Rotolock valve:	no	-
Grommets:	yes	2221011
Sleeves:	yes	2222018
Overload Protector Bracket:	yes	2075299
Cover:	yes	2075278

ELECTRICAL COMPONENTS

	Component type	Description	Code
Run Capacitor:		15 MFD	2253310
Starting Device:	Potential relay	RVA4AL3C-649	1253015
Start Capacitor:		108-130 MFD 330V	2252271
Motor Protection:	External 3/4"	MRA38168-3261	2321153
CSR / CSIR Box:	yes		1272432

EXTERNAL CHARACTERISTICS**Base Plate:** European**Tray Holder:** No**Height:** 206 mm

	Internal Diameter (mm)	Material	Shape
Suction Connector	8.1	Copper	Slanted 42°
Discharge Connector	6.1	Copper	Straight
Process Connector	6.1	Copper	Slanted 42°

RATED POINT DATA

Cooling Capacity (W)	Power Consumption (W)	Current Consumption (A)	Gas Flow Rate (kg/h)	Efficiency (w/W)
±5%	±5%	±5%	±5%	±7%
682	1 045	5.13	65.08	0.65

Test condition: ASHRAE, Fan, Return Gas 35°C, Subcooling 8.3K, Evaporating: 7.2°C, Condensing: 54°C, Ambient: 35°C

PERFORMANCE CURVE DATA

220V 50Hz

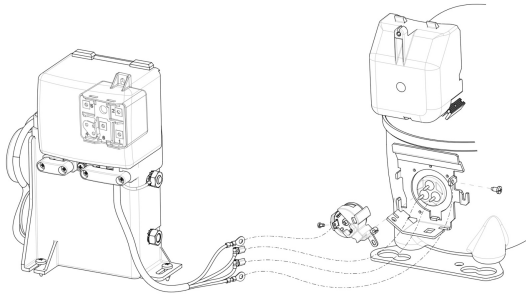
Condensing Temperature (°C)	Evaporating Temperature (°C)	Cooling Capacity (W)	Power Consumption (W)	Current Consumption (A)	Gas Flow Rate (kg/h)	Efficiency (w/W)
		±5%	±5%	±5%	±5%	±7%
35°C	10	3 354	899	4.49	76.39	3.73
	5	2 862	834	4.21	64.39	3.43
	0	2 416	773	3.95	53.80	3.12
	-5	2 018	715	3.72	44.53	2.82
	-10	1 666	660	3.50	36.52	2.52
	-15	1 362	609	3.30	29.67	2.24
	-20	1 104	560	3.12	23.91	1.97

Condensing Temperature (°C)	Evaporating Temperature (°C)	Cooling Capacity (W)	Power Consumption (W)	Current Consumption (A)	Gas Flow Rate (kg/h)	Efficiency (w/W)
		±5%	±5%	±5%	±5%	±7%
45°C	10	2 927	990	4.89	73.96	2.96
	5	2 495	918	4.56	62.21	2.72
	0	2 103	849	4.26	51.84	2.48
	-5	1 752	782	3.98	42.77	2.24
	-10	1 442	719	3.72	34.93	2.01
	-15	1 173	658	3.48	28.22	1.78
	-20	945	601	3.25	22.58	1.57

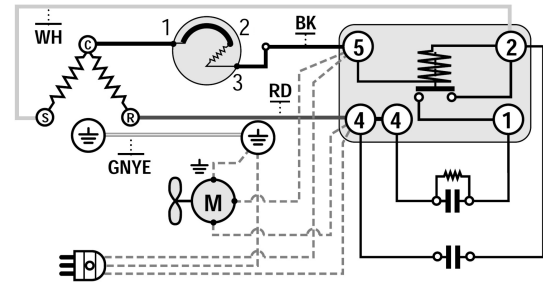
Condensing Temperature (°C)	Evaporating Temperature (°C)	Cooling Capacity (W)	Power Consumption (W)	Current Consumption (A)	Gas Flow Rate (kg/h)	Efficiency (w/W)
		±5%	±5%	±5%	±5%	±7%
55°C	10	2 501	1 104	5.41	71.42	2.27
	5	2 131	1 020	5.02	59.97	2.09
	0	1 795	939	4.65	49.88	1.91
	-5	1 494	860	4.30	41.06	1.74
	-10	1 228	783	3.98	33.43	1.57

Test condition: ASHRAE, Fan, Return Gas 35°C, Subcooling 8.3K, Evaporating: 7.2°C, Condensing: 54°C, Ambient: 35°C

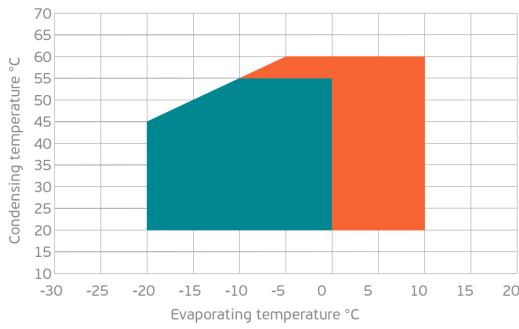
ASSEMBLY INSTRUCTION



WIRING DIAGRAM

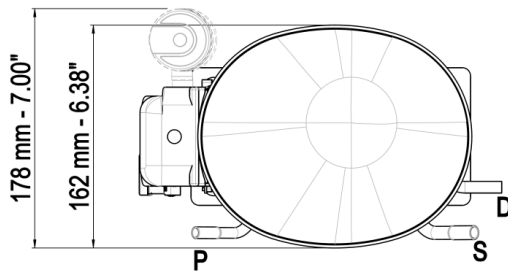
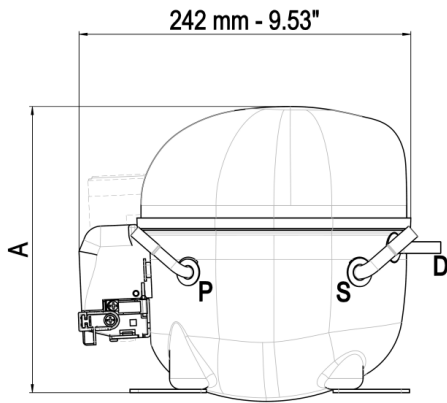


OPERATING ENVELOPE



- Operating Condition
- Transient Condition
- Superheating

NOTE: usage of compressors outside of intended working range cannot make use of the warranty, or should be consulted with Technical support.



DWG02	∅ mm	∅ in	material
S - Suction	6.10 - 6.20	0.24	Cu
P - Process	6.10 - 6.20	0.24	Cu
S - Discharge	4.86 - 5.02	3/16	Cu

DWG03	∅ mm	∅ in	material
S - Suction	8.10 - 8.20	0.32	Cu
P - Process	6.10 - 6.20	0.24	Cu
S - Discharge	6.10 - 6.20	0.24	Cu

