



SECOP

SC10GH

Heat Pump Compressor

R134a

220-240V 50/60Hz

General

Code number	104G8041
Approvals	EN 60335-2-34, UL984, CCC
Compressors on pallet	80

Application

Application	HBP			
	50		60	
Frequency	Hz	50		60
Evaporating temperature	°C	-15 to 20		-15 to 15
Voltage range	V	198 - 254		198 - 254
Max. condensing temperature continuous (short)	°C	70 (70)		60 (70)
Max. winding temperature continuous (short)	°C	125 (135)		125 (135)

Cooling requirements

Frequency	Hz	50			60		
		LBP	MBP	HBP	LBP	MBP	HBP
32°C		-	-	F ₂	-	-	F ₂
38°C		-	-	F ₂	-	-	F ₂
43°C		-	-	F ₂	-	-	F ₂
Remarks on application:							

Motor

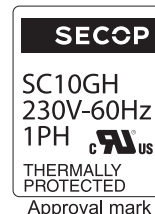
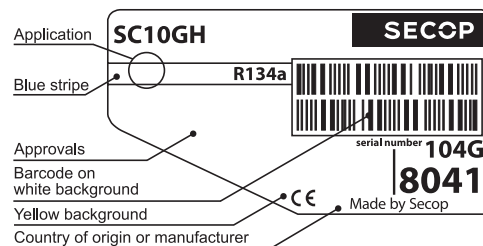
Motor type	CSIR		
LRA (rated after 4 sec. UL984), HST LST	A	14.8	-
Cut in Current, HST LST	A	14.8	-
Resistance, main start winding (25°C)	Ω	5.0	13.7

Design

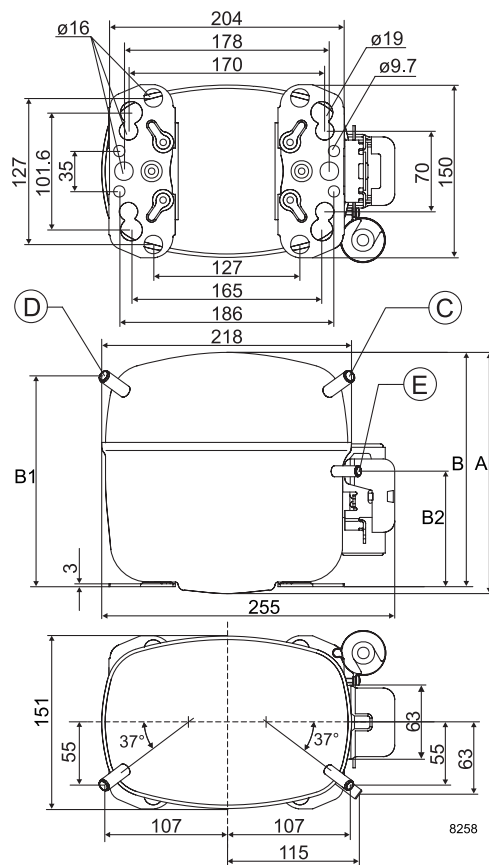
Displacement	cm ³	10.29
Oil quantity (type)	cm ³	500 (polyolester)
Maximum refrigerant charge	g	1300
Free gas volume in compressor	cm ³	1410
Weight without electrical equipment	kg	12.2

Dimensions

Height	mm	A		
		B	193	
Suction connector	location/I.D. mm angle	C	10.2 37°	
		material comment	Copper Rubber plug	
		Process connector	D	6.2 37°
		material comment	Copper Rubber plug	
Discharge connector	location/I.D. mm angle	E	8.2 37°	
		material comment	Copper Rubber plug	
Oil cooler connector	location/I.D. mm angle	F	-	
	material comment		-	
Connector tolerance	I.D. mm		±0.09	
Remarks:				



- S = Static cooling normally sufficient
- O = Oil cooling
- F₁ = Fan cooling 1.5 m/s (compressor compartment temperature equal to ambient temperature)
- F₂ = Fan cooling 3.0 m/s necessary
- SG = Suction gas cooling normally sufficient
- = not applicable in this area



EN 12900 Household (CECOMAF) 220V, 50Hz, fan cooling F₂

Evap. temp. in °C	-45	-40	-35	-30	-25	-23.3	-20	-15	-10	-6.7	-5	0	5	7.2	10	15	20
Capacity in W								233	352	434	478	613	762	832	927	1113	1323
Power cons. in W								235	281	309	323	361	395	409	426	453	476
Current cons. in A								2.34	2.57	2.73	2.80	3.03	3.26	3.36	3.48	3.70	3.92
COP in W/W								0.99	1.25	1.41	1.48	1.70	1.93	2.03	2.18	2.46	2.78

EN 12900 Household (CECOMAF) 220V, 60Hz, fan cooling F₂

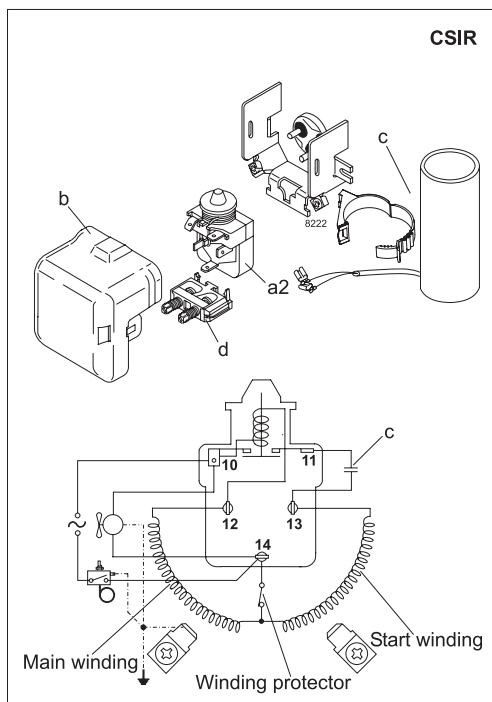
Evap. temp. in °C	-45	-40	-35	-30	-25	-23.3	-20	-15	-10	-6.7	-5	0	5	7.2	10	15	20
Capacity in W								318	421	498	541	683	849	930	1042	1265	
Power cons. in W								287	340	374	392	444	496	518	545	593	
Current cons. in A								2.13	2.37	2.54	2.63	2.90	3.18	3.30	3.46	3.76	
COP in W/W								1.11	1.24	1.33	1.38	1.54	1.71	1.80	1.91	2.13	

ASHRAE HBP 220V, 50Hz, fan cooling F₂

Evap. temp. in °C	-45	-40	-35	-30	-25	-23.3	-20	-15	-10	-6.7	-5	0	5	7.2	10	15	20
Capacity in W								257	387	477	525	675	840	918	1023	1230	1465
Power cons. in W								235	280	308	321	359	393	406	423	449	472
Current cons. in A								2.34	2.57	2.72	2.80	3.02	3.24	3.34	3.46	3.68	3.89
COP in W/W								1.09	1.38	1.55	1.64	1.88	2.14	2.26	2.42	2.74	3.10

ASHRAE HBP 220V, 60Hz, fan cooling F₂

Evap. temp. in °C	-45	-40	-35	-30	-25	-23.3	-20	-15	-10	-6.7	-5	0	5	7.2	10	15	20
Capacity in W								354	467	552	599	756	939	1029	1153	1400	
Power cons. in W								289	340	374	391	442	492	514	541	587	
Current cons. in A								2.11	2.36	2.52	2.61	2.87	3.14	3.26	3.42	3.72	
COP in W/W								1.23	1.37	1.48	1.53	1.71	1.91	2.00	2.13	2.38	



Accessories for	SC10GH	Figure	Code number	Test conditions	EN 12900/CECOMAF	ASHRAE HBP
PTC starting device	6.3 mm spade connectors	a1	–	Condensing temperature	55°C	55°C
	4.8 mm spade connectors		–	Ambient temperature	32°C	32°C
Starting relay	6.3 mm spade connectors	a2	117U6005	Suction gas temperature	32°C	32°C
Cover		b	103N2008	Liquid temperature	55°C	32°C
Start. capacitor 80 µF	6.3 mm spade connectors	c	117U5017			
Cord relief		d	103N1004			
Protection screen for PTC		g	–			

Mounting accessories		Code number
Bolt joint for one comp.	Ø: 16 mm	118-1917
Bolt joint in quantities	Ø: 16 mm	118-1918
Snap-on in quantities	Ø: 16 mm	118-1919

Nidec GA Compressors accepts no responsibility for possible errors in catalogs, brochures, and other printed material. Nidec GA Compressors reserves the right to alter its products without notice. This also applies to products already on order provided that such alterations can be made without consequential changes being necessary to specifications already agreed. All trademarks in this material are the property of the respective companies. Secop and the Secop logotype are trademarks of Nidec Global Appliance Germany GmbH. All rights reserved. www.secop.com