



**杭州钱江压缩机有限公司**  
Hangzhou Qianjiang Compressor Co.,Ltd.

地址: 杭州市余杭区余杭镇圣地路1号  
Address: No.1, Shengdi Road, Yuhang Town, Hangzhou City  
电话(Tel): 0571-88685707 88680169  
传真(Fax): 0571-88685707 88685627  
邮箱(E-mail): Qianjiang@hzqjcc.com  
compressor@hzqjcc.com  
网址: <http://www.qjzl.com> [www.hzqjcc.com](http://www.hzqjcc.com)  
邮编(Post code): 311121



**R600a R134a R404a R406a R22**  
V/WV/WT/WS/WQ/SC/VFC/TK  
LBP/MBP/HBP Compressor

**低背压/中背压/高背压压缩机**



**杭州钱江压缩机有限公司**  
Hangzhou Qianjiang Compressor Co.,Ltd

WANSHENG COMPRESSOR 万胜压缩机

**2012 CATALOGUE 产品目录**



[www.qjzl.com](http://www.qjzl.com) [www.hzqjcc.com](http://www.hzqjcc.com)

## 公司简介

Brief introduction



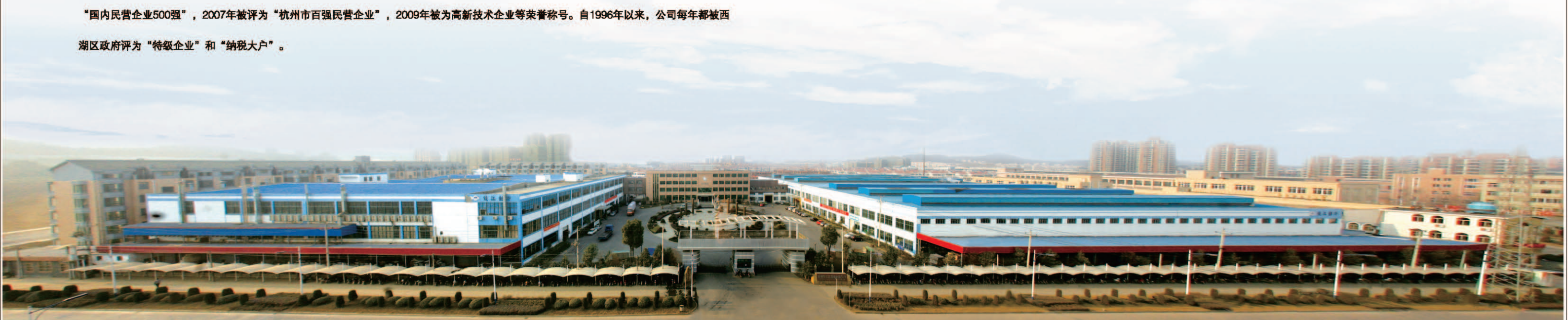
杭州钱江制冷集团有限公司成立于1994年12月，是一家专业生产冰箱、冷柜用全封闭制冷压缩机集产、工、贸实业于一体的多元化发展的集团公司，拥有3个生产基地、2个综合广场及10家控股公司，总资产达20亿元。公司总部位于杭州市天目山路398号，一号生产基地位于杭州余杭工业城（闲林圣地路1号），占地100余亩，建筑面积85000平方米，投资超三亿元，具备年生产冰箱压缩机1600万台以上的生产能力，注册商标为“WANSHENG万胜”、“登富乐”；二号生产基地位于杭州余杭义桥工业园区；三号生产基地位于杭州文一路工业城，总占地三百余亩。

钱江制冷集团已形成为集产品产销与实业投资于一体的发展格局。集团现有下属公司：杭州钱江压缩机股份有限公司，占地面积500余亩，2006年、2007年共投资5亿元进行了两次技术改造，进一步提高产品质量、扩大生产规模、提升品牌，2008年具备日生产冰箱压缩机55000台的生产能力；杭州新时代家居生活广场，位居浙江省内规模最大、品牌最全、档次最高，最具国际化装饰家居购物中心；杭州万胜房地产开发有限公司，已投资经营了20余万平方米的房地产项目；杭州钱江奔腾科技有限公司，拥有50000平方米标准现代化软件科技园；杭州钱江生态农业观光有限公司，占地1500余亩，是环境优美、山清水秀的农业观光休闲园；杭州钱江高扬置业有限公司，该公司开发的江南茶叶市场是目前杭州规模最大设施最全、品位最高的茶叶市场；杭州钱江万胜投资有限公司，是一家拥有多处写字楼及工业厂房的专业性投资公司。同时，杭州钱江制冷集团是杭州联合银行的股东单位之一。

公司自成立以来，全体员工在董事长兼总经理张海明的带领下奋勇拼搏，科技创新，管理水平和经营规模每年均跨上一个新台阶，全年压缩机产销量从1995年的10万台发展到2005年的260万台，2008年的800万台，2009年再创历史新高，产销量突破900万台，累计压缩机产销量近三千万台，成为国内冰箱压缩机生产的主要厂家之一。公司先后获得“浙江重点民营企业”、“浙江省最佳经济效益工业企业”、“浙江省纳税大户”、“杭州市先进民营企业”、“杭州市重合同、守信用单位”、“杭州市十强民营企业”，2001年全国工商联评为“国内民营企业500强”，2007年被评为“杭州市百强民营企业”，2009年被评为高新技术企业等荣誉称号。自1996年以来，公司每年都被西湖区政府评为“特级企业”和“纳税大户”。

公司拥有一支追求卓越的掌握自主开发压缩机和不断勇于进取的技术队伍，十分重视技术创新和新产品开发，与多家知名高等学府开展广泛的产、学、研合作。通过多年不断吸收消化国际先进的压缩机研发制造经验，已掌握高效节能压缩机的核心技术与关键制造工艺，并进行优化应用。现已形成10大系列80多个规格型号（V系列、WV系列、WS(WT)系列、WQ系列、SC系列、TK等系列）的压缩机品种结构，功率从1/12-5匹，制冷工质R600a, R134a, R22及R406a压缩机系列。产品具有高效、高可靠性、低噪音、低振动、低电压启动、负载能力强、使用寿命长等特点，相应的压缩机可广泛应用于冰箱、冷柜（含厨房冰箱）、空调器、自动售货机、饮水机、制冰机、除湿机等制冷产品中，能满足不同用户的使用要求。其中R600a高效压缩机COP值目前已达到1.5至1.98，可以满足中国能效标识1级冰箱对压缩机的要求，并符合欧洲A+、A++节能等级的高档冰箱对高效压缩机的要求，整机关键零部件采用国际先进的零部件表面处理技术，提高整机的耐磨性能，以确保产品质量。公司先后从意大利、瑞士、德国、日本等国引进高精度的零件加工设备和先进的成套总装流水线以及英国“泰勒”全自动圆度精密测量仪。1998年，公司获ISO9001质量体系认证，2002年通过换版认证（ISO9001:2000），通过ISO14001环境管理体系认证，并已通过计量检测体系合格确认和AAA级标准化良好行为评定，公司相应产品已获得的认证主要有CCC（中国）、CE、CB（欧盟）、VDE（德国）、UL（美国）和欧盟RoHS认证。“万胜WANSHENG”牌冰箱压缩机在2003年获得“浙江省名牌产品”称号，并在2008被授予“中国驰名商标”。公司生产的压缩机主要配套的品牌和产品有：“海尔”冰箱、“星星”冰箱冷柜、“新飞”冰箱、“奥马”冰箱、“科龙”冰箱、“三菱”冰箱、“美的”冰箱、“万宝”冰箱、“华日”冰箱、“澳柯玛”冰箱冷柜、“格林”冰箱冷柜、“银都”厨房冰箱、“安吉尔”饮水机等，销售遍及全国各地，并出口欧盟、韩国、美国、中东国家及东南亚地区。公司热忱欢迎与国内外新老客户真诚合作，

携手共进，共展宏图！



# PROFILE



## Hangzhou Qianjiang Refrigeration Group Co., Ltd

Founded in December 1994, Hangzhou Qianjiang Refrigeration Group CO., Ltd is specialized in producing hermetic compressors for refrigerators, freezers and various household appliances. With the plural development of the company, today it possesses three manufacturing bases, two comprehensive business markets and ten holding companies in China. Its total assets amount to ¥ 2 billion yuan. It is headquartered in number 398 Tianmu Mountain Road, Hangzhou. And the first manufacturing base is located in Yuhang Industrial City of Hangzhou, covering more than 100 mu (16.5 acres), building areas with 85,000 square meters and totally investing more than 300 million Yuan. The second and third manufacturing bases for compressors are situated in Yuhang Yiqiao Industry Zone and Wenyi Road Industrial city of Hangzhou respectively, which occupies the areas of 500 mu (82.5 acres) totally. For the productive capacity of 16 million hermetic compressors annually with the famous brand "WANSHENG" and "DENG FULE", the company has now become one of the largest and the most professional manufacturing bases in China.



The company headquarters

Hangzhou Qianjiang Refrigeration Group CO., Ltd has made the development from its manufacturing, sale of products and industrial investing simultaneously. Now it has seven subordinate companies as follows,

1. Hangzhou Qianjiang Compressor Co., Ltd, invested 500 million Yuan both in 2006 and 2007 in importing advanced processing equipments and test instruments in order to improve the quality of products and enlarge producing scale. It is able to manufacture 55,000 refrigerator compressors daily in 2008.
2. Hangzhou New Era Decoration Plaza, is named as the largest scale, widest variety brands, highest class and international modern shopping center for decorating material in Zhejiang province.
3. Hangzhou Wangsheng Developing Real Estate CO., Ltd, has invested and run for real estate more than 200,000 square meters.
4. Hangzhou Qianjiang Benteng Technology Co., Ltd, possesses a standard modern software technology park which covers 50,000 square meters.
5. Hangzhou Qianjiang Ecological Agricultural and Tourism Co., Ltd, covering 250 acres, establishes a picturesque agricultural tourism and leisure park.
6. Hangzhou Qianjiang Gaoyang Land Investment Ltd has developed the Jiangnan tea market as the largest, full equipped, most tasteful tea market in Hangzhou.
7. Hangzhou Qianjiang Wangsheng Investment CO., Ltd, is a professional investment company owning several office estate and manufacturing buildings.
8. The company is also one of shareholders of Hangzhou United Bank.

Since its foundation, with the strong efforts of all the staff and workers under the leadership of the general manager Mr. Zhang Haiming and the constant innovation and investments in technology, the company becomes one of China's leading compressor manufactures, which its management system, technology and business scale rise a new level each year and the annual producing and sales of compressors increase fast from 100,000 sets in 1995, 2.6 million sets in 2005, to 7 million sets in 2007, and create a record of 8 million sets in 2008, the accumulation compressors for sales have already topped more than 20 million sets. The company has been awarded as "The Important Private Enterprises in Zhejiang", "The Best Industrial Enterprise of Economic Benefits", "One of The Largest Taxpayer in Zhejiang", "Advanced Private Enterprise in Hangzhou", "The Trustworthy Company of Attaching Importance to Contracts in Hangzhou", "Hangzhou Top Ten Private Enterprises" and awarded by All-China Federation of Industry & Commerce as "The Top 500 Private Enterprises in China" in 2001, And it obtained the title as "Hangzhou Top 100 Private Enterprises" in 2007.

Due to attaching great importance to technical innovation and development of new products, the company owns a technical team to pursue the excellent and constant self-development. Meanwhile, it also cooperates with many famous colleges and universities aimed the development of manufacturing, researching for products. Absorbing the advanced international and manufacturing experience, it had mastered the core technology and key producing process of high efficiency and energy saving compressor and optimized applications.

Nowadays, the company produces 10 series of compressors and more than 80 models available (V series, WV series, WS(WT) series, WQ series, SC series, TK series), whose power range from 1/12 to 5 horse, including the refrigerant R600a, R134a and R22. The characteristics of all products are high efficiency, high stable level, low noise level, low vibration level, starting at lower voltage, strong load capability, long life etc. the variety of compressors could be widely applied for refrigerator freezer (with the kitchen refrigerator), air-conditioners, vending machines, drinking fountains, ice-making machines, dehumidifiers and so on and, the different products could satisfy different customers' requirements. So far, the performance parameter COP of R600a high efficient compressors has reached to 1.8, up to the standard of China energy efficiency Grade I labeled on a refrigerator and in line with Europe Grade A+ and A++ of high efficiency refrigerators. In order to ensure the good quality of products, we deal the important parts with advanced international surface treatment technology to improve the wearable performance of the complete compressors.

In the past years the company had introduced many high precise component processing equipments and advanced full set of assembly line from Italy, Switzerland, Germany, Japan and 'Taylor' Roundness Auto Measuring Instrument from United Kingdom.

The company has obtained ISO9001 quality system certificate in 1998, in 2002, new version (ISO9001:2000) and ISO1401 environmental management system certificate, passed the certification of measuring detections and the evaluation of the standardized good behavior of the grade AAA were confirmed by the relevant authority. Till now, the following certificates of our compressors have been gained both at home and abroad: CCC (China), CE, CB (EU), VDE (Germany), UL (America), and ROHS (EU) certifications. The brand "WANSHENG" refrigerator compressors had been won "Famous Products in Zhengjiang" in 2003 and "Well-Known Trademark in China" in 2008.

Our compressors are applied in many refrigeration products and well matched with the famous brand, such as "Haier", "Xinfel", "Kelon", "Melling", "Wanbao", "Huari", "Midea" and "OEM" refrigerators, and "Xingxing", "Aucma", and "Gerlin" refrigerators and freezers, also used in "Yindou" kitchen refrigerator, "Angel" drinking foundation etc. Our products not only are sold to domestic market all over the country, but also exported to EU, South Korea, America, Mid-east Asia and Southeast Asia.

We warmly welcome every new and old customer at home and abroad to visit our company for discussion on our products, sincerely hope to get your kind cooperation and create a better quality of life together.



Subsidiary-New Time Life Plaza



### 万胜压缩机技术参数

#### R600a 220~240V/50Hz

LBP  
低背压

序号 No.	应用类型 Application	产品系列 Serial	产品型号 type	马力 Hp	电压/频率 Power Supply (V/Hz)	电机类型 Motor type	制冷量 Capacity		COP Power Efficiency		启动器 Starting Device	启动电容 Starting Capacitor (μF)	运行电容 Running Capacitor (μF)	冷却方式 Cool	
							ASHRAE (-23.3°C)	CECOMAF (-25°C)	ASHRAE (-23.3°C)	CECOMAF (-25°C)					
							w		COP (w/w)						
1	LBP 低背压	V	QD35Y	1/15	220~240V ~50Hz	RSIR	52	39	1.07	0.84	PTC	/	/	S	
2			QD35YV	1/17		RSCR	52	39	1.30	1.02		/	2.5	S	
3			QV43Y	1/13		RSCR	70	52.5	1.30	1.02		/	2.5	S	
4	LBP 低背压	WV	WV43Y	1/13	220~240V ~50Hz	RSIR	72	54	1.3	1.02	PTC	/	/	S	
5			WV52Y	1/11		RSIR	85	64	1.31	1.02		/	/	S	
6			WV65Y	1/10		RSIR	103	77	1.40	1.09		/	/	S	
7			WV70Y	1/8		RSIR	120	90	1.40	1.09		/	/	S	
8			WV75Y	1/8		RSIR	130	98	1.40	1.09		/	/	S	
9			WV43YV	1/14		RSCR	75	56	1.42	1.11		/	2.5	S	
10			WV52YV	1/12		RSCR	85	64	1.42	1.11		/	3	S	
11			WV60YV	1/11		RSCR	103	77	1.51	1.18		/	3	S	
12			WV52YG	1/12		RSIR	85	64	1.35	1.05		/	/	S	
13			WV65YG	1/10		RSIR	103	77	1.45	1.13		/	/	S	
14			WV75YG	1/8		RSIR	130	98	1.45	1.13		/	/	S	
15			WV35YT	1/20		RSCR	53	40	1.47	1.15		/	2.5	S	
16			WV35YZ	1/23		RSCR	52	39	1.65	1.29		e-PTC	/	2.5	S
17			WV43YT	1/15		RSCR	75	56	1.50	1.17		PTC	/	2.5	S
18			WV52YT	1/13		RSCR	88	66	1.63	1.27		PTC	/	3	S
19	WV43YZ	1/18	RSCR	75	56.3	1.85	1.45	e-PTC	/	3	S				
20	LBP 低背压	WD	WD60Y	1/13	220~240V ~50Hz	RSCR	105	79	1.85	1.44	e-PTC	/	3	S	
21			WD65Y	1/12		RSCR	111	83	1.85	1.44		/	3	S	
22	LBP 低背压	WZ	WZ60Y	1/14	220~240V ~50Hz	RSCR	105	79	1.95	1.52	e-PTC	/	3	S	
23			WZ65Y	1/13		RSCR	111	83	1.95	1.52		/	3	S	
24	LBP 低背压	WT	QD65Y	1/10	220~240V ~50Hz	RSIR	103	77	1.40	1.09	PTC	/	/	S	
25			QD65YG	1/10		RSIR	103	77	1.50	1.17		/	/	S	
26			QD75Y	1/8		RSIR	130	98	1.40	1.09		/	/	S	
27			QD75YG	1/8		RSIR	130	98	1.50	1.17		/	/	S	
28			QD85Y	1/7		RSIR	145	109	1.40	1.09		/	/	S	
29			QD85YG	1/8		RSIR	145	109	1.50	1.17		/	/	S	
30			QD91Y	1/7		RSIR	155	116	1.40	1.09		/	/	S	
31			QD91YG	1/7		RSIR	155	116	1.50	1.17		/	/	S	



### 万胜压缩机技术参数

#### R600a 220~240V/50Hz

LBP  
低背压

序号 No.	应用类型 Application	产品系列 Serial	产品型号 type	马力 Hp	电压/频率 Power Supply (V/Hz)	电机类型 Motor type	制冷量 Capacity		COP Power Efficiency		启动器 Starting Device	启动电容 Starting Capacitor (μF)	运行电容 Running Capacitor (μF)	冷却方式 Cool	
							ASHRAE (-23.3°C)	CECOMAF (-25°C)	ASHRAE (-23.3°C)	CECOMAF (-25°C)					
							w		COP (w/w)						
1	LBP 低背压	WT	QD65YV	1/12	220~240V ~50Hz	RSCR	103	77	1.65	1.29	PTC	/	3	S	
2			QD75YV	1/9		RSCR	135	101	1.65	1.29		/	3	S	
3			WT60YV	1/12		RSCR	103	77	1.70	1.33		/	3	S	
4			WT65YV	1/11		RSCR	110	83	1.70	1.33		/	3	S	
5			WS60YV	1/12		RSCR	103	77	1.75	1.37		/	3	S	
6			WS65YV	1/12		RSCR	110	83	1.75	1.37		/	3	S	
7			WS75YV	1/9		RSCR	130	98	1.70	1.33		/	3	S	
8			WS80YV	1/9		RSCR	140	105	1.70	1.33		/	4	S	
9			WS85YV	1/9		RSCR	146	110	1.70	1.33		/	4	S	
10			WS91YV	1/8		RSCR	155	116	1.70	1.33		/	4	S	
11	LBP 低背压	WS	QD103Y	1/6	220~240V ~50Hz	RSIR	168	126	1.35	1.05	PTC	/	/	S	
12			QD103YG	1/6		RSIR	168	126	1.45	1.13		/	/	S	
13			QD110Y	1/5		RSIR	183	137	1.35	1.05		/	/	S	
14			QD110YG	1/6		RSIR	183	137	1.45	1.13		/	/	S	
15			WS98YV	1/7		RSCR	176	132	1.71	1.33		/	4	S	
16			WS103YV	1/7		RSCR	181	136	1.71	1.33		/	4	S	
17			WS110YV	1/6		RSCR	196	147	1.70	1.33		/	4	S	
18			WS80YT	1/13		RSCR	103	77	1.85	1.44		/	3	S	
19			WS85YT	1/12		RSCR	110	83	1.85	1.44		/	3	S	
20			WS75YT	1/10		RSCR	130	98	1.85	1.44		e-PTC	/	3	S
21			WS85YT	1/9		RSCR	146	110	1.80	1.41		/	4	S	
22	WS91YT	1/9	RSCR	155	116	1.8	1.41	/	4	S					
23	LBP 低背压	WQ	WQ128Y	1/5	220~240V ~50Hz	RSIR	220	165	1.45	1.13	PTC	/	/	F	
24			WQ128YG	2/9		RSIR	230	173	1.55	1.21		/	/	F	
25			WQ128YV	2/9		RSCR	230	173	1.70	1.33		/	4	F	
26			WQ128YT	2/9		RSCR	230	173	1.92	1.50	e-PTC	/	5	F	
27			WQ142Y	2/9		RSIR	235	176	1.45	1.13	PTC	/	/	F	
28			WQ142YG	2/9		RSIR	240	180	1.55	1.21		/	/	F	
29			WQ142YV	2/9		RSCR	240	180	1.70	1.33		/	5	F	
30			WQ142YT	2/9		RSCR	240	180	1.95	1.52	e-PTC	/	5	F	
31			WQ153Y	1/4		RSIR	260	195	1.45	1.13		/	/	F	



### 万胜压缩机技术参数 QIANJIANG

### 万胜压缩机技术参数

#### R600a 220~240V/50Hz

LBP 低背压

序号 No.	应用类型 Application	产品系列 Serial	产品型号 type	马力 Hp	电压/频率 Power Supply (V/Hz)	电机类型 Motor type	制冷量 Capacity		COP Power Efficiency		启动器 Starting Device	启动电容 Starting Capacitor (μF)	运行电容 Running Capacitor (μF)	冷却方式 Cool
							ASHRAE (-23.3°C)	CECOMAF (-25°C)	ASHRAE (-23.3°C)	CECOMAF (-25°C)				
1	LBP 低背压	WQ	WQ153YG	1/4	220~240V ~50Hz	RSIR	268	201	1.55	1.21	PTC	/	/	F
2			WQ153YV	1/4		RSCR	268	201	1.70	1.32		/	5	F
3			WQ153YT	1/4		RSCR	268	201	1.96	1.53		e-PTC	/	5

#### R600a 110~120V/60Hz

LBP 低背压

序号 No.	应用类型 Application	产品系列 Serial	产品型号 type	马力 Hp	电压/频率 Power Supply (V/Hz)	电机类型 Motor type	制冷量 Capacity		COP Power Efficiency		启动器 Starting Device	启动电容 Starting Capacitor (μF)	运行电容 Running Capacitor (μF)	冷却方式 Cool
							ASHRAE (-23.3°C)	CECOMAF (-25°C)	ASHRAE (-23.3°C)	CECOMAF (-25°C)				
1	LBP 低背压	V	QD3511Y	1/13	110~120V ~60Hz	RSCR	63	47.25	1.28	1	PTC	/	6	S
2	LBP 低背压	WV	WV4311Y	1/11		RSIR	85	64	1.31	1.02	PTC	/	/	S
3			WV5211Y	1/10		RSIR	95	71	1.30	1.02		/	/	S
4			WV6011Y	1/9		RSIR	120	90	1.4	1.1		/	/	S
5			WV6011YV	1/9		RSCR	120	90	1.6	1.26		/	6	S
6	LBP 低背压	WS	WS10311Y	1/6		RSCR	200	150	1.50	1.17	PTC	/	12	S

#### R134a 110~120V/60Hz

LBP 低背压

序号 No.	应用类型 Application	产品系列 Serial	产品型号 type	马力 Hp	电压/频率 Power Supply (V/Hz)	电机类型 Motor type	制冷量 Capacity		COP Power Efficiency		启动器 Starting Device	启动电容 Starting Capacitor (μF)	运行电容 Running Capacitor (μF)	冷却方式 Cool
							ASHRAE (-23.3°C)	CECOMAF (-25°C)	ASHRAE (-23.3°C)	CECOMAF (-25°C)				
1	LBP 低背压	V	QV1511HA	1/11	110~120V ~60Hz	RSCR	63	47.25	1.16	0.91	PTC	/	10	S
2			QV1511H	1/11		RSIR	63	48.8	1	0.78		/	/	S
3			QD2511H	1/11		RSIR	70	52.5	1.05	0.82		/	/	S
4			QV3011H	1/9		RSIR	90	67.5	1.05	0.82		/	/	S
5	LBP 低背压	WV	WV4311H	1/6	110~120V	RSIR	130	97.5	1.1	0.86	PTC	/	/	S
6			WV5211H	1/6	~60Hz	RSIR	160	120.0	1.2	0.94		/	/	S
7	LBP 低背压	WS	WS3911H	1/9	110~120V ~60Hz	RSCR	120	90.0	1.5	1.17	PTC	/	10	S
8			WS5211H	1/6		RSCR	180	135.0	1.57	1.23		/	12	S
9			WS5711H	1/6		RSCR	195	146.3	1.55	1.21		/	12	S
10			WS7011H	1/4		RSIR	245	183.8	1.35	1.05		/	-	S

#### R134a 220~240V/50Hz/50~60Hz

LBP 低背压

序号 No.	应用类型 Application	产品系列 Serial	产品型号 type	马力 Hp (50Hz)	电压/频率 Power Supply (V/Hz)	电机类型 Motor type	制冷量 Capacity		COP Power Efficiency		启动器 Starting Device	启动电容 Starting Capacitor (μF)	运行电容 Running Capacitor (μF)	冷却方式 Cool				
							ASHRAE (-23.3°C)	CECOMAF (-25°C)	ASHRAE (-23.3°C)	CECOMAF (-25°C)								
1	LBP 低背压	V	QV10H	1/16	220~240V 50~60Hz	RSIR	35/43	26/32	0.76/0.8	0.59/0.62	PTC	/	/	S				
2			QV15H	1/14		RSIR	48/57	36/43	0.9/0.95	0.70/0.74		/	/	S				
3			QV20H	1/13		RSIR	56/64	42/48	1.0/1.03	0.78/0.80		/	/	S				
4			QD25H	1/12		RSIR	65/78	49/59	1.05/1.08	0.82/0.84		/	/	S				
5			QV30H	1/10		RSIR	75/88	56/66	1.05/1.08	0.82/0.84		/	/	S				
6	LBP 低背压	WV	WV43H	1/8	220~240V	RSIR	111/130	83/98	1.15/1.2	0.90/0.94	PTC	/	/	S				
7			WV52H	1/7	50~60Hz	RSIR	130/150	98/113	1.15/1.25	0.90/0.98		/	/	S				
8	LBP 低背压	WT	WT52H	1/7	220~240V 50~60Hz	RSIR	130/150	98/113	1.2/1.3	0.94/1.02	PTC	/	/	S				
9			QD52H	1/7		RSIR	130/150	98/113	1.2/1.3	0.94/1.02		/	/	S				
10			QD65H	1/5		RSIR	168/185	126/139	1.2/1.3	0.94/1.02		/	/	S				
11			QD75H	1/5		RSIR	180/200	135/150	1.2/1.3	0.94/1.02		/	/	S				
12			QD91H	1/4		RSIR	208/235	156/176	1.2/1.3	0.94/1.02		/	/	S				
13	LBP 低背压	WS	WS45H	1/8	220~240V 50~60Hz	RSIR	130/150	98/113	1.34/1.43	1.05/1.12	PTC	/	/	S				
14			WS57H	1/6		RSCR	170/195	128/146	1.42/1.5	1.11/1.17		/	4	S				
15			WS70H	1/6		RSCR	197/220	148/165	1.42/1.5	1.17/1.21		/	4	S				
16			WS75H	1/5		RSCR	200/232	150/174	1.4/1.48	1.09/1.16		/	4	S				
17			WS103H	1/4		RSCR	260	195	1.4	1.13		/	5	S				
18			WS50H	1/8		RSCR	152	114	1.57	1.23		/	4	S				
19			WS52H	1/7		RSCR	160	120	1.60	1.25		/	4	S				
20			WS60H	1/7		RSCR	180	135	1.65	1.29		/	4	S				
21			LBP 低背压	WQ		WQ110H	1/3	220~240V ~50/60Hz	RSIR	280/310		210/233	1.2/1.35	0.94/1.05	重锤 Starting Relay/PTC	/	/	F
22						WQ128H	1/3	RSIR	325	244		1.35	1.05	/		/	F	
23	WQ142H	1/3			220~240V ~50Hz	CSIR	360	270	1.35	1.05	重锤 Starting Relay	80	/	F				
24	WQ153H	2/5			CSIR	390	293	1.35	1.05	重锤 Starting Relay	80	/	F					
25	LBP 低背压	SC	QD150H	1/3	220~240V ~50Hz	CSIR	255	221	0.98	0.91	重锤 Starting Relay	80	/	F2				
26			QD168H	2/5		CSIR	323	341	1.04	0.96		80	/	F2				
27			QD180H	1/2		CSIR	392	341	1.11	1.03		80	/	F2				
28			QD210H	1/2		CSR	456	396	1.12	1.04		电压式 Voltage	80	10	F2			



## 万胜压缩机技术参数

Technical Datasheet Of Wansheng Compressor

### R600a 220~240V/50Hz

VFC变频系列VFC Variable frequency type

序号 No.	应用类型 Application	产品系列 Serial	产品型号 type	电压/频率 Power Supply (V/Hz)	电机类型 Motor type	制冷量 Capacity				启动器 Starting Device	启动电容 Starting Capacitor (μF)	运行电容 Running Capacitor (μF)	冷却方式 Cool
						ASHRAE (-23.3°C)		CECOMAF (-25°C)					
						w		COP (w/w)					
1	LBP 低背压	VFC	VFC91Y	220~240V	BLCD	90~190	49~143	1.90	1.50	Variable frequency drive	/	/	S
2			VFC110Y	~50Hz	BLCD	105~232	70~174	1.90	1.50		/	/	S

### R22 220~240V/50Hz

TK 系列压缩机 TK serial Compressor

序号 No.	应用类型 Application	产品系列 Serial	产品型号 type	电压/频率 Power Supply (V/Hz)	电机类型 Motor type	制冷量 Capacity				启动器 Starting Device	启动电容 Starting Capacitor (μF)	运行电容 Running Capacitor (μF)	冷却方式 Cool
						蒸发温度 °C							
						-10°C	-5°C	0°C	7.2°C				
1	H/MBP 中/高背压	TK	QD238D	220~240V ~50Hz	CSR	1471	1917	2393	3206	电压式 Voltage	100	25	F2
2			QM268D		CSR	1657	2159	2695	3611		100	25	F2
3			QM308D		CSR	1930	2515	3139	4206		125	35	F2
4			QM350D		CSR	2194	2858	3567	4780		125	35	F2

### R134a 220~240V/50Hz

MBP/HBP  
中/高背压

序号 No.	应用类型 Application	产品系列 Serial	产品型号 type	电压/频率 Power Supply (V/Hz)	电机类型 Motor type	制冷量 Capacity				启动器 Starting Device	启动电容 Starting Capacitor (μF)	运行电容 Running Capacitor (μF)	冷却方式 Cool
						蒸发温度 °C							
						-10°C	-5°C	0°C	7.2°C				
1	H/MBP 中/高背压	WV	QZ25H	220~240V	RSIR	58	73	91	120	重锤Starting Relay/PTC	/	/	F
2			QZ30HG	~50Hz	RSIR	75	95	118	156		/	/	F
3	H/MBP 中/高背压	WT	QZ40HG	220~240V ~50Hz	RSIR	111	140	174	230	PTC	/	/	F1
4			QZ45HG		RSIR	140	176	220	290		/	/	F1
5			QZ59HG		RSIR	159	200	250	330		/	/	F1

### R134a 220~240V/50-60Hz

MBP/HBP  
中/高背压

序号 No.	应用类型 Application	产品系列 Serial	产品型号 type	电压/频率 Power Supply (V/Hz)	电流 A (①0°C)	电机类型 Motor type	制冷量 Capacity (50Hz)				启动器 Starting Device	启动电容 Starting Capacitor (μF)	运行电容 Running Capacitor (μF)	冷却方式 Cool
							蒸发温度 Evap.Tep							
							-15°C	-5°C	0°C	7.2°C				
1	MBP HBP 中/高背压	QM	QM80H	220~240V 50~60Hz	1.9	CSIR	235	374	492	682	重锤 Starting Relay	80	/	F
2			QM91H		2.5	CSIR	285	438	562	772		80	/	F
3			QM110H		2.9	CSIR	310	503	653	910		80	/	F

### R404a 220~240V/50Hz

中低背压  
L/MBP

序号 No.	应用类型 Application	产品系列 Serial	产品型号 type	电压/频率 Power Supply (V/Hz)	电机类型 Motor type	制冷量 Capacity		能效 Power Efficiency		启动器 Starting Device	启动电容 Starting Capacitor (μF)	运行电容 Running Capacitor (μF)	冷却方式 Cool
						-23.3°C	-5°C	-23.3°C	-5°C				
						w		COP (w/w)					
1	L/MBP 中/低背压	SC	QD10ML	220~240V 50Hz	CSIR	470	1154	1.27	1.98	重锤 Starting Relay	80	/	F2
2			QD12ML		CSIR	629	1505	1.34	2.06		80	/	F2
3			QD15ML		CSIR	782	1699	1.34	1.91		80	/	F2
4			QD18ML		CSR	907	2022	1.41	2.01		80	10	F2
5			QD21ML		CSR	1033	2243	1.41	2.13		80	10	F2

### R22 220~240V/50Hz

MBP/HBP  
中/高背压

序号 No.	应用类型 Application	产品系列 Serial	产品型号 type	电压/频率 Power Supply (V/Hz)	电机类型 Motor type	制冷量 Capacity (50Hz)				启动器 Starting Device	启动电容 Starting Capacitor (μF)	运行电容 Running Capacitor (μF)	冷却方式 Cool
						蒸发温度 Evap.Tep							
						-10°C	-5°C	0°C	7.2°C				
1	H/MBP 中/高背压	WV	QZ25	220~240V	RSIR	126	159	196	260	电流式/PTC Current/PTC	/	/	F
2			QZ30	~50Hz	RSIR	166	208	257	340		/	/	F
3	H/MBP 中/高背压	WT	QZ38	220~240V ~50Hz	RSIR	243	305	377	500	PTC	/	/	F1
4			QZ45		RSIR	306	385	476	630		/	/	F1
5			QZ59		RSIR	350	440	544	720		/	/	F1
6			QZ70		RSIR	441	555	685	908		/	/	F1
7	H/MBP 中/高背压	SC	QD10D	220~240V ~50Hz	CSIR	760	956	1182	1565	重锤 Starting Relay	80	/	F2
8			QD12D		CSIR	942	1185	1465	1940		80	/	F2
9			QD15D		CSR	1146	1442	1782	2360		80	10	F2

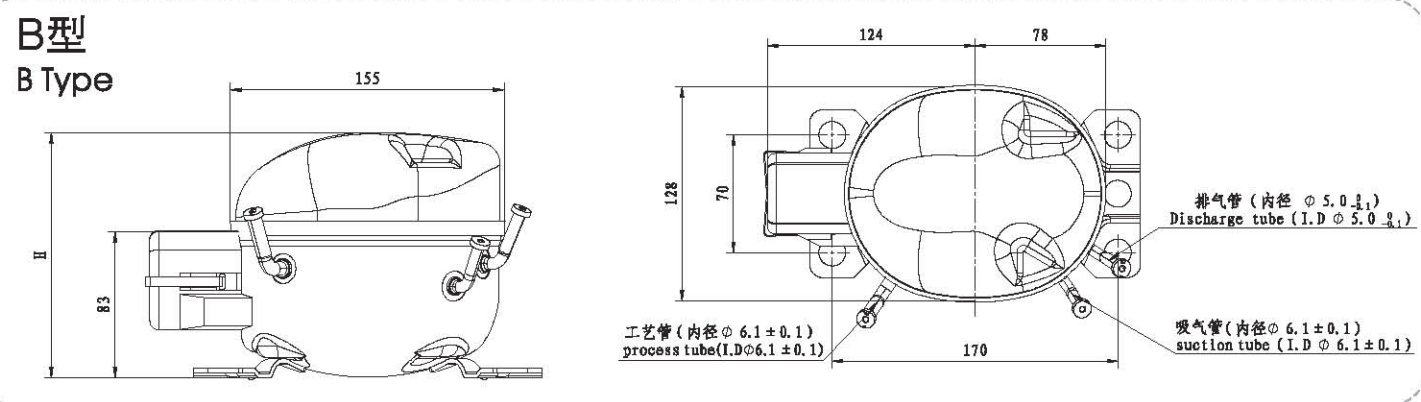
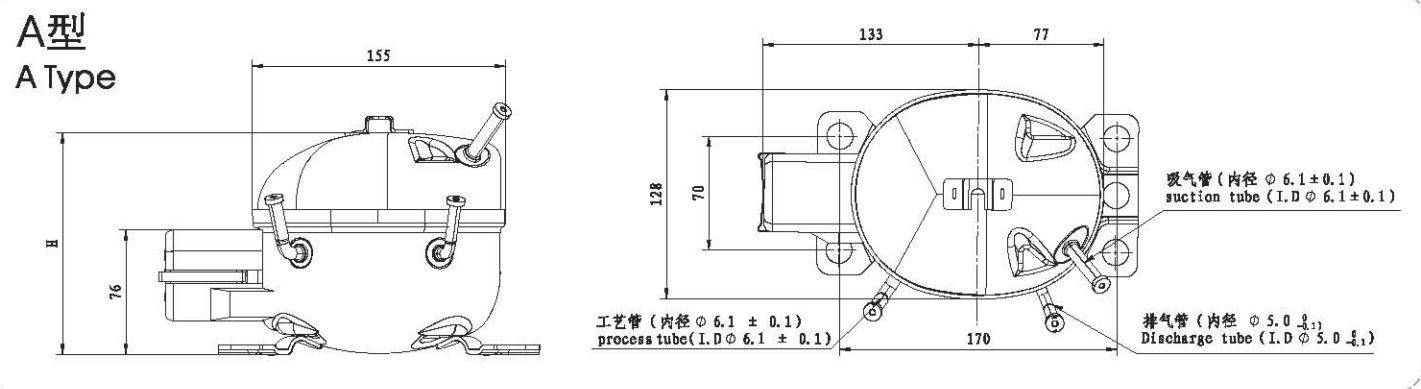
### R406a 220~240V/50Hz

LBP  
低背压

序号 No.	应用类型 Application	产品系列 Serial	产品型号 type	马力 Hp	电压/频率 Power Supply (V/Hz)	电机类型 Motor type	制冷量 Capacity		COP Power Efficiency		启动器 Starting Device	启动电容 Starting Capacitor (μF)	运行电容 Running Capacitor (μF)	冷却方式 Cool
							ASHRAE (-23.3°C)		CECOMAF (-25°C)					
							w		COP (w/w)					
1	LBP 低背压	WT	QD55	1/6	220~240V ~50Hz	RSIR	130	98	1.04	0.81	PTC	/	/	S
2			QD65	1/5		RSIR	158	119	1.08	0.84		/	/	S
3			QD75	1/4		RSIR	176	132	1.09	0.85		/	/	S
4			QD85	1/4		RSIR	202	152	1.10	0.86		/	/	S
5			QD91	1/4		RSIR	216	162	1.12	0.87		/	/	S
6	LBP 低背压	WQ	QD110	3/10	220~240V ~50Hz	RSIR	271	203	1.17	0.91	重锤 Starting Relay	/	/	F
7			QD128	1/3		RSIR	306	230	1.18	0.92		/	/	F
8			QD142	2/5		CSIR	333	250	1.19	0.93		80	/	F
9	LBP 低背压	SC	QD168	1/2	220~240V ~50Hz	CSIR	380	330	1.15	1.06	电流式 Current	80	/	F2
10			QD180	1/2		CSIR	440	382	1.15	1.07		80	/	F2
11			QD210	3/5		CSIR	510	443	1.17	1.08		80	/	F2

万胜压缩机外形尺寸  
Compressor Dimensions Of Wansheng Compressor

V系列  
V Serial

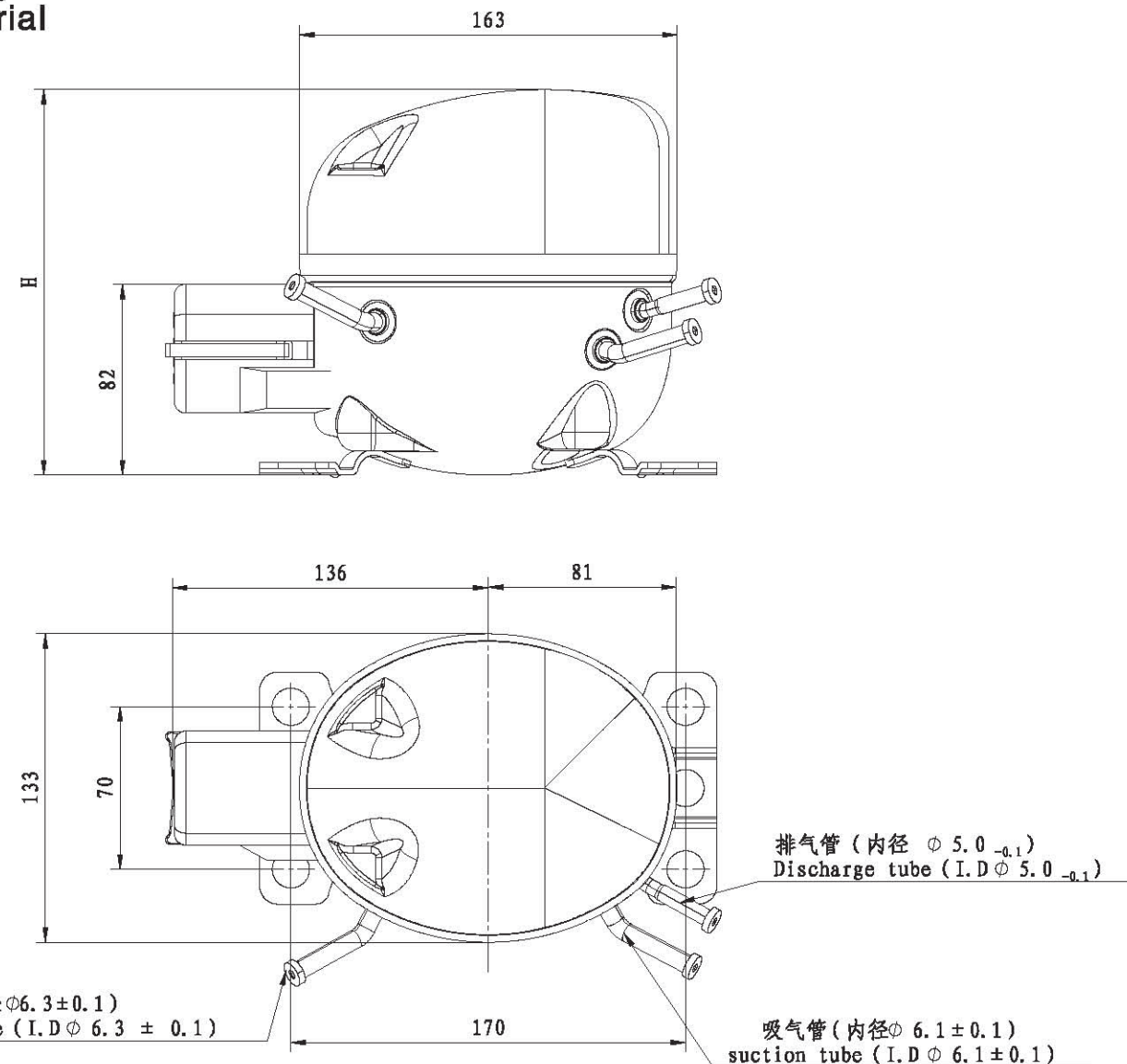


◆ 吸气管工艺管不能互换  
Suction tube and process tube can't be exchanged

V系列	
H	型号 Model
141	QV10H QV1511HA QV1511H QV15H QV20H QD25H QD2511H QV30H QV3011H QD35Y QD3511Y
144	QD35YV QV43Y

万胜压缩机外形尺寸

WV系列  
WV Serial



◆ 吸气管工艺管不能互换  
Suction tube and process tube can't be exchanged

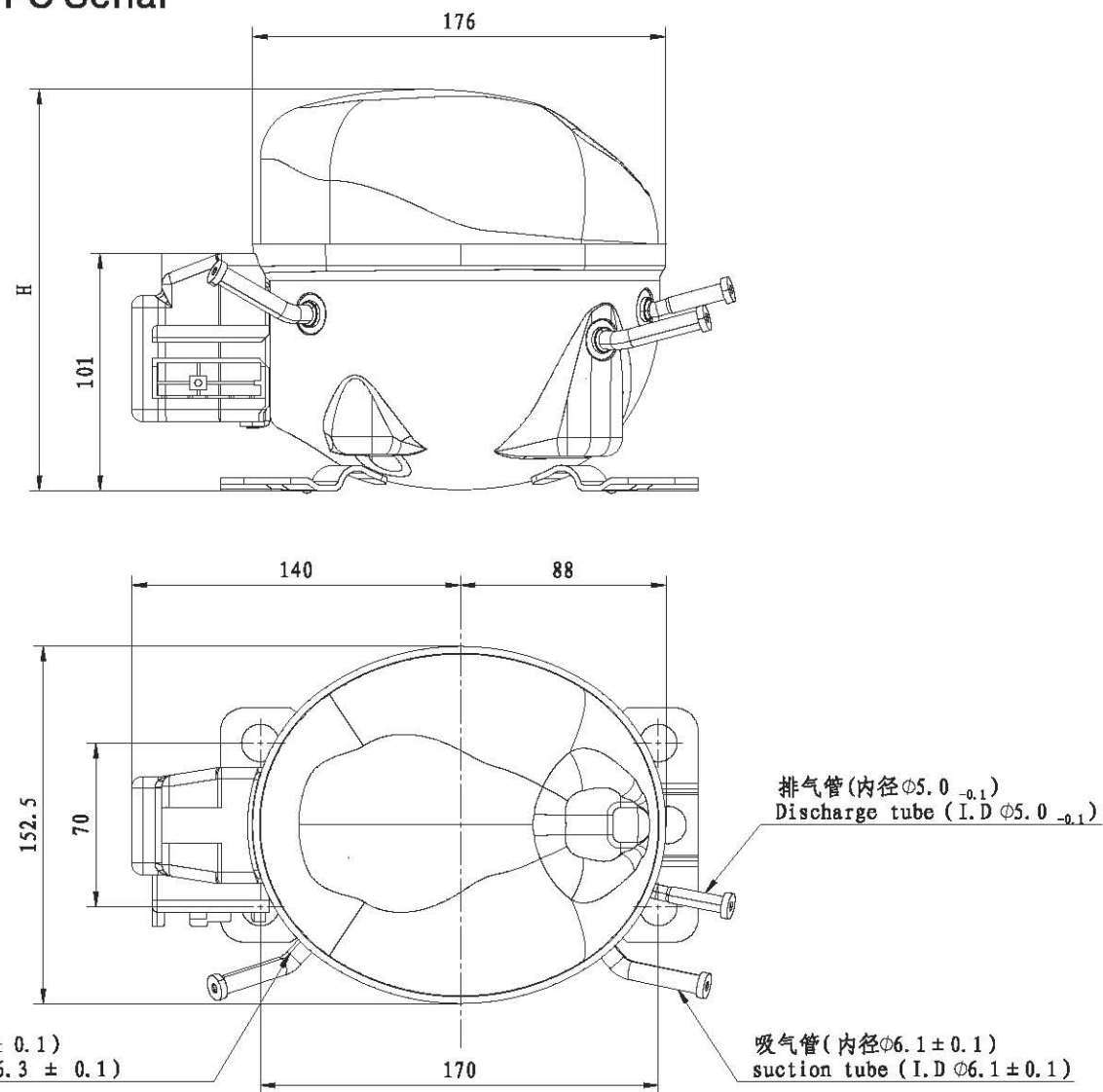
WV系列	
H	型号 Model
154	WV43Y WV43YV WV4311Y WV43YZ
159	WV52Y WV52YV WV52YG WV65Y WV65YG WV60YV
164	WV35YT WV43YT WV52YT WV601Y WV601YV WV65YV WV75Y WV5211H WV4311H WV75YG QZ25H QZ30HG QZ25 QZ30 WV5211H WV52H WV70Y WV75Y

### 万胜压缩机外形尺寸

Compressor Dimensions Of Wansheng Compressor

#### WS(WT)、VFC系列

WS(WT)、VFC Serial



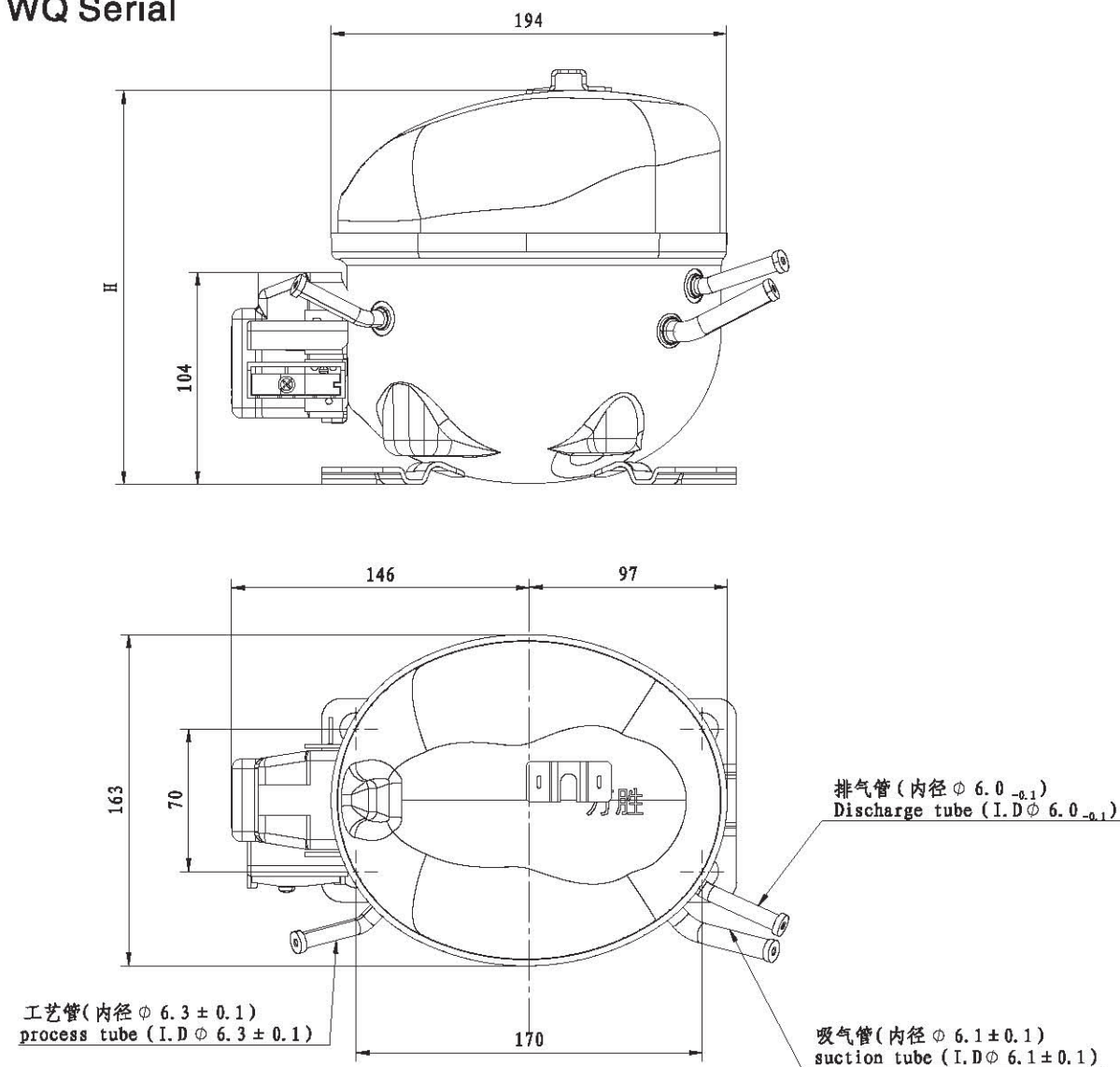
◆ 吸气管工艺管不能互换  
Suction tube and process tube can't be exchanged

WS(WT) 系列	
H	型号 Model
171	QD65Y QD65YG WT60YV WT65YV WT52H QZ38 QD65YV WT601Y QD52H QD65H WS3911H QZ40HG QZ40H
176	QD75Y QD75YG QD103Y QD103YG QD110Y QD110YG WS60YV QZ59HG QZ45HG WS45H WS60H WS52H WS60H QD75H QD91H WS65YV QZ45H QZ45 QZ59
181	QD85Y QD91Y WS7011H WS5211H WS5711H WS70H WS75H QD85YG QD91YG WS80YV WS60YT WS65YT WS75YT WS57H WS75YV
183	WS103H WS91YV WS103YV WS85YT WS10311Y QD75YV WS85YV WS98YV WS110YV WT651Y WS91YT

### 万胜压缩机外形尺寸

#### WQ系列

WQ Serial

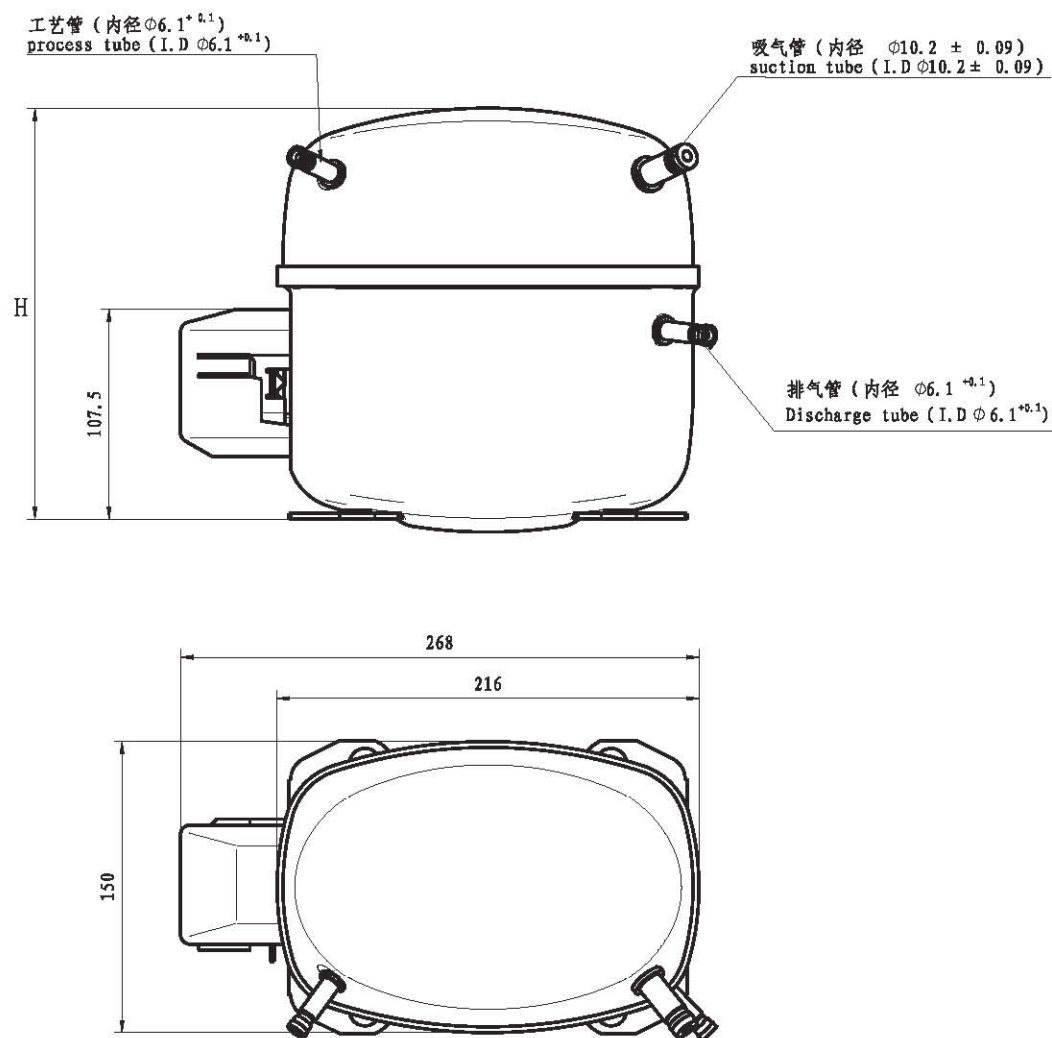


◆ 吸气管工艺管不能互换  
Suction tube and process tube can't be exchanged

WQ 系列	
H	型号 Model
180	WQ128Y WQ142Y
185	WQ153Y WQ128YG QM80H QM91H QM110H
190	WQ128YV WQ128YT WQ142YG WQ153YV WQ153YT WQ110H WQ142YV WQ142YT WQ153YG WQ128H WQ142H WQ153H



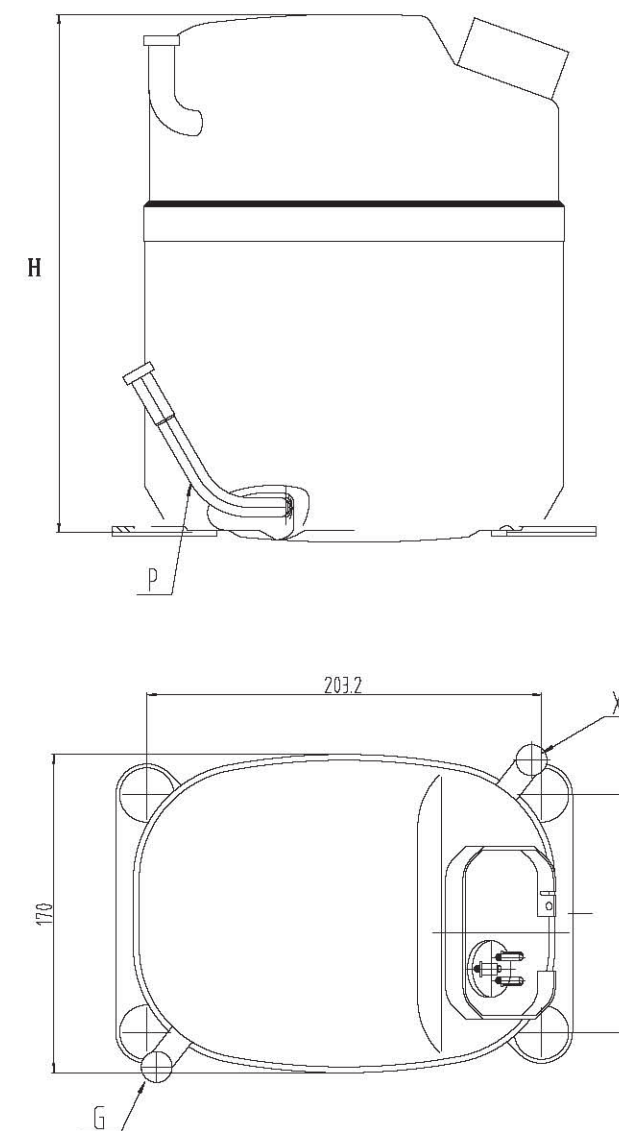
SC系列  
SC Serial



◆ 吸气管工艺管不能互换  
Suction tube and process tube can't be exchanged

SC 系列							
H	型号 Model						
217	QD150H	QD100D	QD10D	QD10ML	QD168	QD210H	QD18ML
	QD168H	QD120D	QD12D	QD12ML	QD180	QD180D	QD21ML
	QD180H	QD150D	QD15D	QD15ML	QD210	QD210D	

TK 系列  
TK Serial

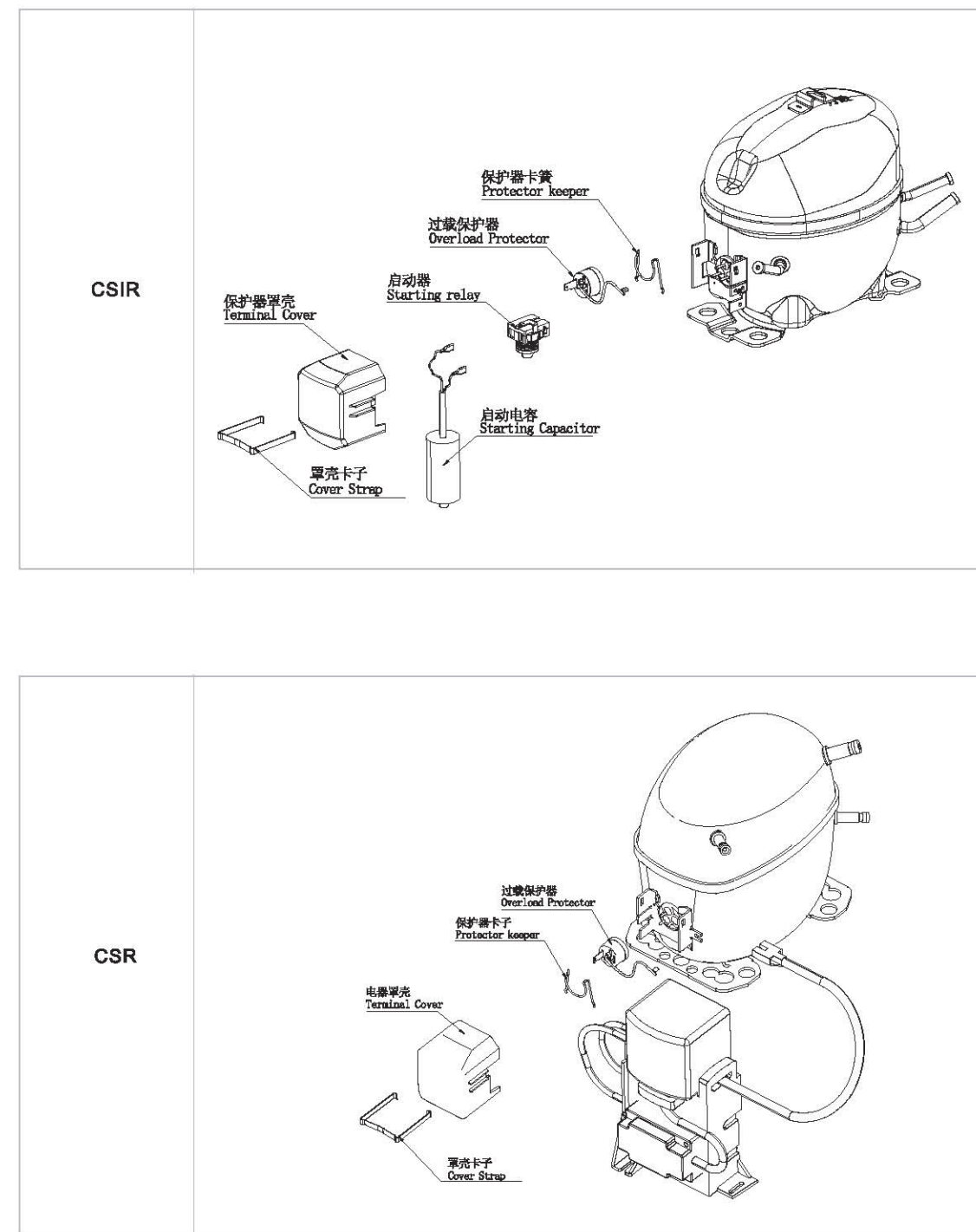
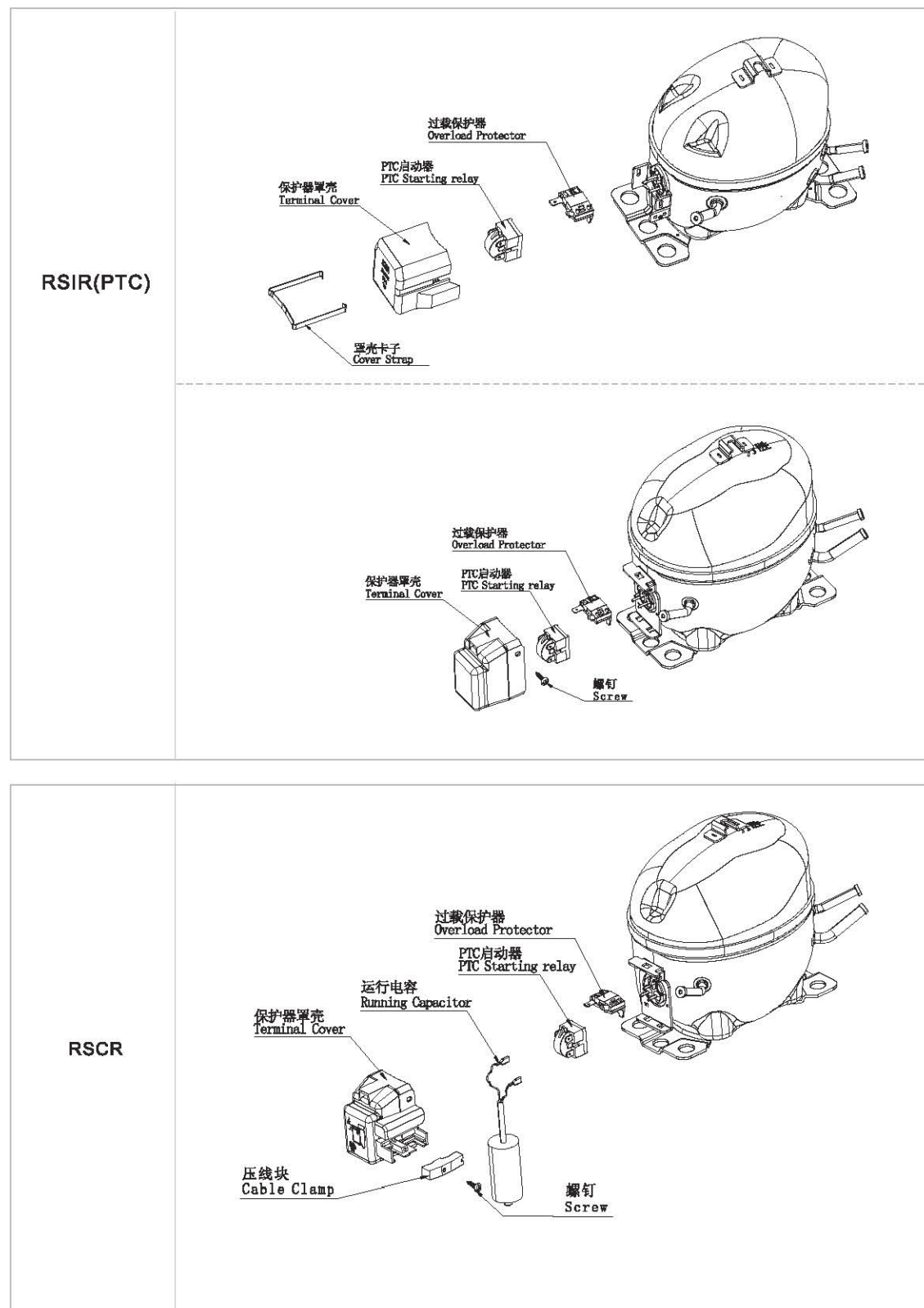


TK 系列				
H	型号 Model			
270	QD238D	QD268D	QD308D	QD350D

TK系列				
型号Model	QD238D	QM268D	QM308D	QM350D
P排气管(内径) Discharge Tube(I.D)	$\phi 8.0$	$\phi 8.0$	$\phi 8.0$	$\phi 8.0$
X吸气管(内径) Suction Tube(I.D)	$\phi 9.6$	$\phi 9.6$	$\phi 12.8$	$\phi 16.8$
G工艺管(内径) Process Tube(I.D)	$\phi 6.5$	$\phi 6.5$	$\phi 6.5$	$\phi 6.5$

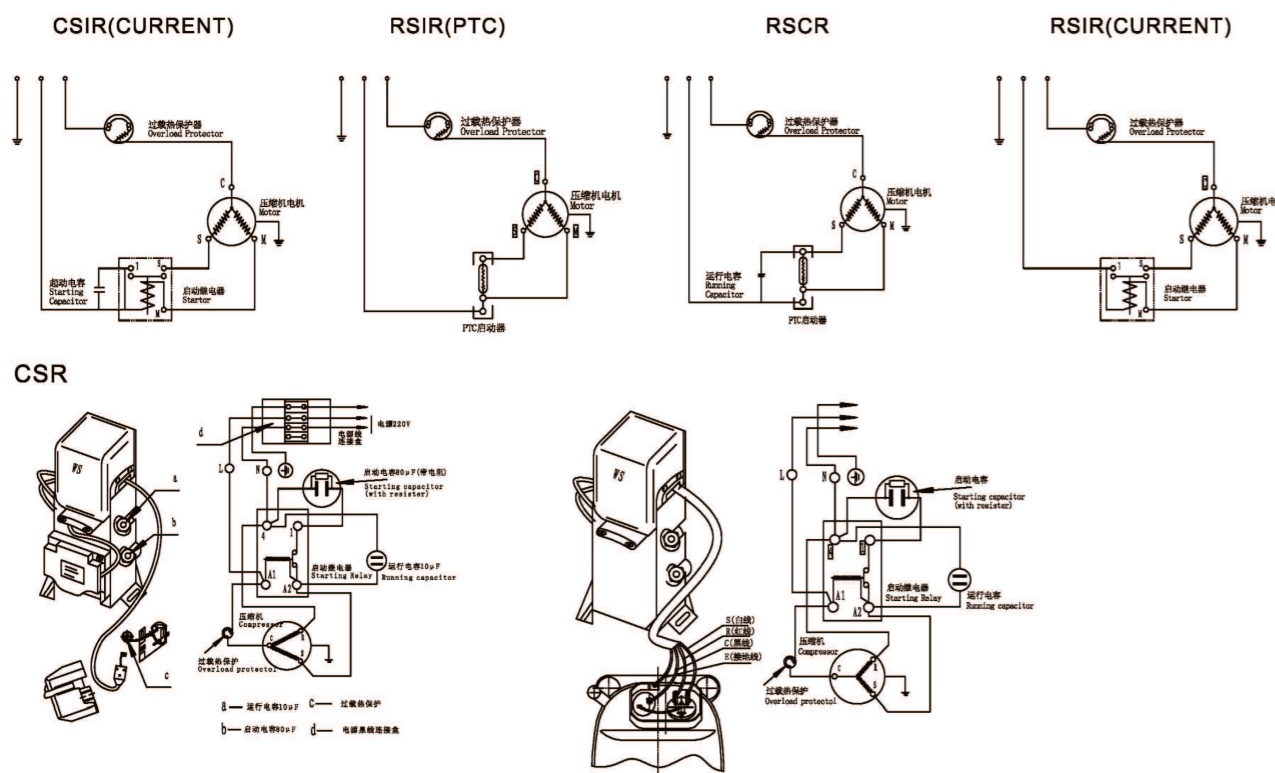
## 典型压缩机接线图

Typical Electrical Wiring Diagram Of Compressor



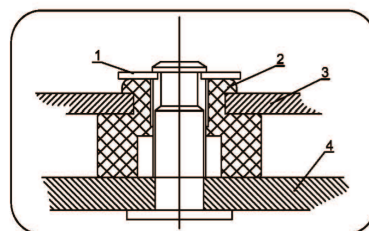
## 产品接线图

### Compressor Wiring Diagram



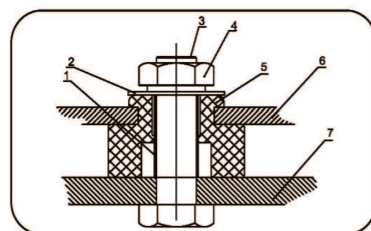
## 压缩机连接

### The connections of the Compressor



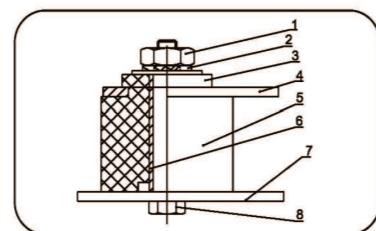
#### 卡簧式 Clamp Type

- 1、压片 Gasket
- 2、减震垫 Rubber grommet
- 3、机座 Mounting feet
- 4、箱体底板 Cabinet floor



#### 接头式A Connector Type A

- 1、减震套 Sleeve
- 2、垫圈(用户自配) Gasket(not supplied)
- 3、M6螺栓(用户自配) M6 screw(not supplied)
- 4、M6螺母(用户自配) M6 nut(not supplied)
- 5、减震垫 Rubber grommet
- 6、机座 Mounting feet
- 7、箱体底板 Cabinet floor



#### 接头式B Connector Type B

- 1、底脚螺母 Hexagon nut
- 2、弹簧垫圈 Spring washer
- 3、平垫圈 Flat washer
- 4、压缩机机脚 Compressor mounting bracket
- 5、橡胶减震圈 Rubber grommet
- 6、衬套 Sleeve
- 7、安装底板 Cabinet base
- 8、底脚螺栓 Screw



- 应用类型: 低背压 (LBP) ——蒸发温度 $-35^{\circ}\text{C} \sim -15^{\circ}\text{C}$ 、中背压 (MBP) ——蒸发温度 $-15^{\circ}\text{C} \sim 0^{\circ}\text{C}$ 、高背压 (HBP) ——蒸发温度 $-5^{\circ}\text{C} \sim 15^{\circ}\text{C}$ 。
- 冷却方式: S—自然冷却、F1—风扇直径为200mm, 风速为1.1m/s的风冷、F2—风扇直径为200mm, 风速为3.0m/s的风冷。
- 电机类型: RSIR—电阻分相启动、RSCR—电阻启动电容运行、CSIR—电容启动电阻运行、CSR—电容启动电容运行。
- 主要参数变化范围: 制冷量 $\geq 95\%$ 、额定电流 $\leq 110\%$ 、额定功率 $\leq 115\%$ 、性能系数 $\geq 95\%$ 。
- 以上数据如有变动, 恕不另行通知。

- Application: low back pressure(LBP)—evaporating temperature $-35^{\circ}\text{C} \sim -15^{\circ}\text{C}$ , medium back pressure(MBP)—evaporating temperature $-15^{\circ}\text{C} \sim 0^{\circ}\text{C}$ , high back pressure(HBP)—evaporating temperature $-5^{\circ}\text{C} \sim 15^{\circ}\text{C}$ .
- Cooling: S—static cooling, F1—fan diameter 200mm, 1.5m/s air cooling of wind velocity, F2—fan diameter 200mm, 3.0m/s air cooling of wind velocity.
- Motor type: RSIR, RSCR, CSIR, CSR
- Tolerance of main performance data: cooling capacity $\geq 95\%$ , rated current $\leq 110\%$ , rated power $\leq 115\%$ , COP $\geq 95\%$ .
- All data is subject to change without notice

测试工况 Test Conditions	低背压 LBP ASHRAE	低背压(°C) LBP CECOMAF	中/高背压(°C) M/HBP	单位换算 Conversion Table
蒸发温度 Evap Temp $^{\circ}\text{C}$	-23.3	-25	7.2	1、kcal/hx1.163=w
环境温度 Amb Temp $^{\circ}\text{C}$	32.2	32	32.2	2、kcal/hx3.968=Btu/h
过冷温度 Subcooling Temp $^{\circ}\text{C}$	32.2	55	46.1	3、wx3.412=Btu/h
冷凝温度 Cond Temp $^{\circ}\text{C}$	54.4	55	54.4	4、wx0.864=kcal/h
吸气温度 Suction Temp $^{\circ}\text{C}$	32.2	32	35	5、EER=copx3.412
				6、Capacity(at50Hz)x1.16=Capacity(at60Hz)

## 产品通用要求

### General requirement

- 1、压缩机应贮存于干燥通风的场所。  
Compressor should be stored in a dry and drafty place.
- 2、压缩机存放、运输时不得倾斜或倒置，同时避免撞击，安装水平与工作状态倾斜不大于5°。  
Compressor should not be tilted or inverted in storage and transportation; collision should be avoided.  
The installation level and working condition should not be tilted at more than 5°.
- 3、压缩机安装前切勿将橡胶塞拔掉，以免杂物和潮气进入，安装时（建议先拔排气管橡胶塞）拔出橡胶塞后应在10分钟内安装完毕。  
Rubber plugs should not be pulled out from discharge tube before installation so as to avoid impurity and humidity. The installation should be completed within 10 min after that. (It is proposed to pull out the rubber plugs of discharge tube first of all.)
- 4、压缩机的接地装置应永久可靠地与制冷器具的接地装置连接。  
The compressor's ground connection should be reliably connected with that of the refrigeration appliance all the time.
- 5、为了保证系统压力平衡，压缩机运行间隔时间不得少于5min。  
In order to keep a pressure balance in system, the interval of operation should not be less than 5 min.
- 6、压缩机内注有本公司认可的最佳量的专用冷冻机油，不得随意倒出或添加。  
The charging volume of refrigerant oil has been optimized by our company. Don't pour any oil out or into the compressor randomly.
- 7、若压缩机附件（如启动器、热保护器等）交货时未安装在压缩机上而是在附件箱内，则必须选用相对应型号的启动器、热保护器等。  
The accessories (eg. Starter, thermal protection etc.) are not installed into the compressor with delivery, but in the accessory case. Be sure to select the corresponding starter and thermal protection models rightly.
- 8、按低、中、高背压正确匹配压缩机许可的蒸发温度并注意各类压缩机许可的电压、频率范围。  
Match the proper evaporating temperatures according to the low, middle and high back pressure requirements. Pay attention to the admitted ranges of voltage and frequency for the different models.
- 9、压缩机不能承受高压或真空条件下启动、运行不能在真空状态下检测绝缘电阻与耐压强度。  
Compressor can not afford a high-voltage or starting/running under vacuum condition. Checking insulation and compressive resistance in vacuum is not allowed.
- 10、凡直接进气和半直接进气的压缩机工艺管和吸气管不能互换，否则压缩机性能将难以保证。  
The process or suction tube of direct and semi-direct gas compressor can not be interchanged, or it would be difficult to guarantee the performance of compressor.
- 11、不能用压缩机进行抽真空，不能采用握氧气注入制冷系统进行检漏等相关操作，否则容易造成安全事故。  
Don't use the compressor as vacuum-pumping. The oxygen injection should not be used for leak detection of refrigeration system, or it would possibly cause accidents.
- 12、制冷系统设计时应充分考虑系统回油。  
The oil return in system has been fully taken into consideration in design.
- 13、压缩机的工作环境温度不能高于43℃，在最高室温（43℃）时，其连续运转时电流、输入功率、不应超过压缩机的极限值。  
The temperature of compressor working environment should not be higher than 43℃. The current and input power in its continuous operation should not exceed the limitation of the compressor at the highest room temperature (43℃).
- 14、压缩机出厂后库存期最好不要超过6个月，如果超过请检查压缩机内干燥氮气是否充足，必要时补充。  
The stocking period must be less than 6 months after the date of production. If longer, you have to check whether the filled dry nitrogen is sufficient. Replenishment must be done if necessary.

## R134a系列压缩机特殊要求

### Special requirements to R134a compressor

- 1、R134a压缩机的敞口时间应尽可能短，不得超过10分钟。  
Don't keep the R134a compressor connect pipe open too long better, no more than 10 minutes.
- 2、抽真空泵和充注设备必须专用于R134a。  
The vacuum pump and the charging system must only be dedicated to R134a.
- 3、与R134a不相溶的有机物在制冷系统中不得使用。  
The organic substance non-compatible with R134a can't be used in the refrigeration system.
- 4、R134a制冷系统应使用与R134a相适应的干燥过滤器。  
R134a refrigerant R134a system should be used in line with the dry filter.
- 5、R134a制冷系统应严格控制水份、杂质、石蜡、硅油和氯离子等的含量。  
R134a refrigerant system should strictly control the moisture, impurities, paraffin wax, such as silicone oil, and the content of chloride ion.
- 6、R134a压缩机内注有钱江制冷认可的专用脂类油，不得随意倒出或添加。  
R134a is Qianjiang injection compressor refrigeration approved for lipid oil, are not allowed to randomly pour or add.

## R600a系列压缩机特殊要求

### Special requirements to R600a compressor

- 1、R600a(碳氢)压缩机与制冷器具匹配应用中应遵守并熟练掌握碳氢工质的安全规程，使用相应的工具设备进行操作。  
The matching application of R600a(hydrocarbon)compressor and refrigeration equipment should be in compliance with the safety regulation on hydrocarbon refrigerants. Appropriate equipments and tools should be used in operation.
- 2、压缩机运行状况：万胜R600a系列压缩机能在0.22Mpa（表压）的平衡压力、85%额定电压下启动、运行，在特定条件下压缩机能在电压低至165V，高至242V下启动和运行。  
Compressor working condition: Wansheng R600a series compressors can start and run under the 0.25Mpa(gauge)balance pressure and 85% rated voltage; under special conditions voltage low to 165V and high to 242V is allowable.
- 3、R600a压缩机内已加注万胜牌压缩机认可的最佳经严格工艺处理过的专用冷冻机油，不得随意倒出或添加，否则所有的技术保证将无效。  
Strictly processed refrigerant oil has been authorized by Wangsheng Compressor to add into R600a compressor. It is allowed to pour out or add randomly, otherwise all technical assurance would be invalid.
- 4、R600a压缩机必须采用PTC启动器。  
PTC starting relay must be used in R600a compressor.

## 压缩机执行标准

### Executive Standard

- 1、GB/T5773-2004《容积式制冷剂压缩机性能试验方法》  
GB/T5773-2004《The methods of performance test for positive displacement refrigerant》
- 2、GB9098-2008《电冰箱用全封闭式电动机-压缩机》  
GB9098-2008《Hermetic motor-compressors of refrigerators》
- 3、GB4706.17-2004《家用和类似用途电器的安全电动机-压缩机的特殊要求》  
GB4706.17-2004《Safety of household and similar electrical appliances particular requirement for motor-compressors》